

# Non-Return Valves

## Scope of Use / Specification Sheet

RMC High Temperature Non-Return Valves prevent the backflow of water from a water heater to the mains line.



### Product Code

Model	Size	Product Code
NR50X High Temperature	15mm Female BSP	NRX003
NR75X High Temperature	20mm Female BSP	NRX006
NR100X High Temperature	25mm Female BSP	NRX001

### Materials

Body	Lead Free DZR Brass
Internal Parts	Neoperl® OV15-HT/OV20-HT AS/NZS 4020 Approved

### Application

RMC Non-Return Valves are suitable for use on water heater systems or wherever non-return functionality is required. RMC recommends installing a Non-Return Valve as part of a complete inlet control system for water heater applications.

### Notes

For applications relating to the protection of drinking water supplies from contamination, please refer to RMC's Backflow Prevention product range.

### Features and Benefits

- Durable, single piece, brass body
- Tamper-proof non-return valve
- Dezincification resistant lead free brass
- Meets Australian Standard AS/NZS 4020 for potable water supply
- Valve designed to work effectively in either vertical or horizontal installations

### Description

Non-Return Valves serve the dual purpose of protecting the mains supply from contamination and prevents the loss of water that has already been heated.

Non-Return Valves are suitable for use in domestic and commercial water heater installations, and are rated for high temperature applications (up to 99°C).

RMC Combination Non-Return Valves are available in 15mm, 20mm and 25mm configurations, and are WaterMark certified to AS 1357.1.

### Installation

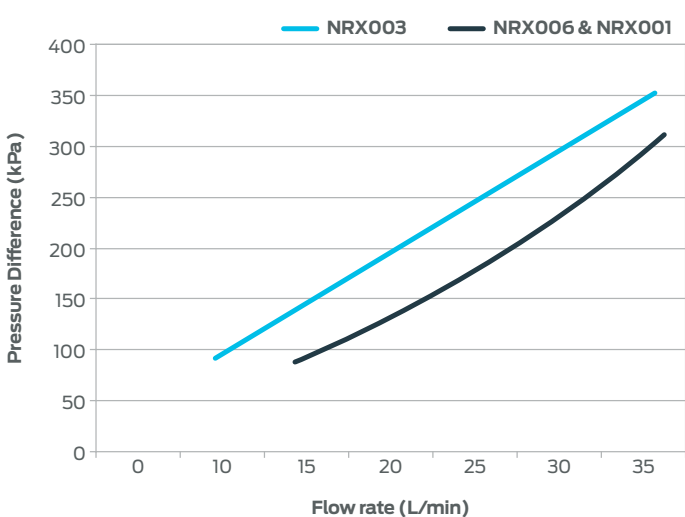
Installation is subject to the requirements of the applicable regulatory authority, the National Construction Code Volume Three – Plumbing Code of Australia, associated reference standards as applicable at the time and AS/NZS 3500. This product is compliant to the Lead Free requirements of the National Construction Code Volume Three. For further Scope of Use, please visit [www.rmc.com.au/resources](http://www.rmc.com.au/resources).

# Non-Return Valves

## Technical Specifications

Operating Temperature	1°C – 99°C	
Maximum Inlet Pressure	1400kPa	
Inlet / Outlet Connections	G½, G¾, G1 Internal thread	
Installation Orientation	Horizontal or Vertical	
Maximum Flow Rate	NRX003	36 L/min
	NRX006 & NRX001	50 L/min
Opening Pressure	NRX003	2.1kPa
	NRX006 & NRX001	1.7kPa

## Flow Characteristics



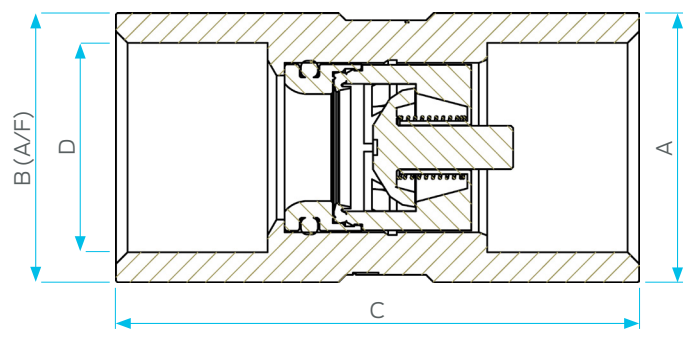
## Standards and Approvals



## Dimensions

Product	Size	A	B	C	Connections (D)
NRX003	15mm	31	27	53	G1/2
NRX006	20mm	37	32	62	G3/4
NRX001	25mm	44	38	68	G1

Note: All measurements in mm unless otherwise stated.



## Warranty

Reliance Worldwide Corporation (Aust.) Pty. Ltd. (RWC) will either replace or repair any defective goods where the defect arose as a result of manufacture within the warranty period. You may contact RWC at the phone number, or e-mail shown below for further information or to make a claim.

Visit [www.rmc.com.au/warranty](http://www.rmc.com.au/warranty) to view the warranty statement in full and for further important information.