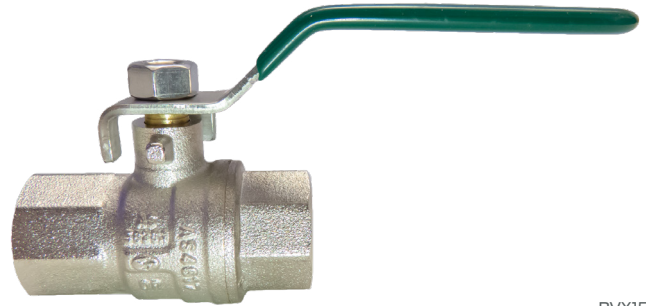


# Gas and Water Ball Valves

## Scope of Use / Specification Sheet

The RMC Gas and Water Ball Valves range is suitable for use in both gas and water applications and is available in both lever and butterfly handle variants.



BVX1501

### Product List

Model	Size	Order Code
Ball Valve - Butterfly Type Handle - F&F	15mm	BVX1502
	20mm	BVX2002
Ball Valve - Butterfly Type Handle - M&F	15mm	BVX1505
	20mm	BVX2005
Ball Valve - Butterfly Type Handle - MC&MC	15mm	BVX1509
	20mm	BVX2009
Lever Ball Valve - F&F	10mm	BVX1001
	15mm	BVX1501
	20mm	BVX2001
	25mm	BVX2501
	32mm	BVX3201
	40mm	BVX4001
	50mm	BVX5001
Lever Ball Valve - M&F	15mm	BVX1504
	20mm	BVX2004
	20mm	BVX2003
	25mm	BVX2503
Extended Spindle Lever Ball Valve - F&F	32mm	BVX3203
	40mm	BVX4003
	50mm	BVX5003

### Features and Benefits

- Lead free DZR brass body
- Bottom loading, dual O-Ring sealed stem
- Resilient seats
- Straight through (M&F, F&F) versions
- Long life performance through its high quality components
- Light weight construction for ease of handling
- Quality guaranteed water marked and gas marked product

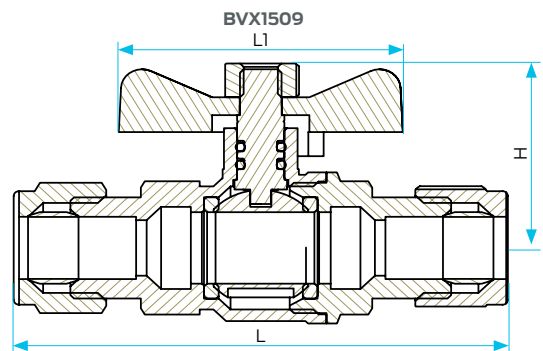
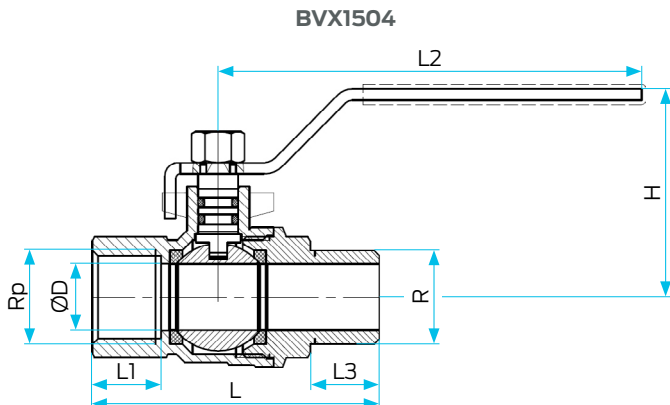
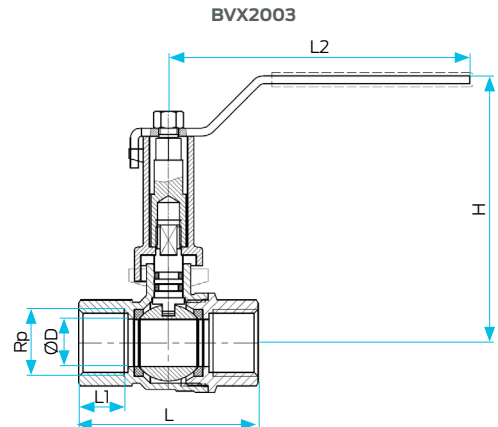
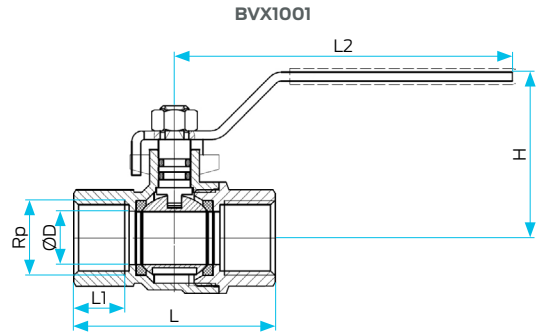
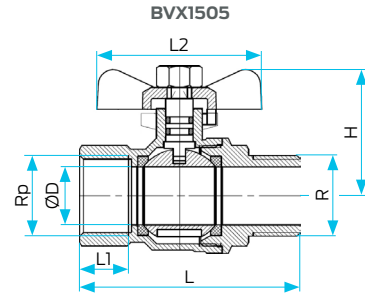
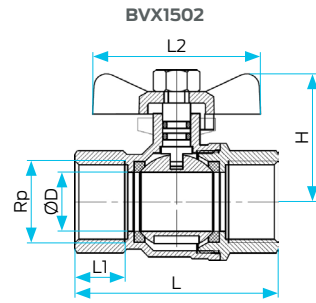
### Materials

Body	Lead Free DZR Brass
Bonnet	Lead Free DZR Brass
Seat	PTFE
Ball	Lead Free DZR Brass
Stem	Lead Free DZR Brass
O-Ring	NBR
O-Ring	HNBR
Extension housing	CW614N
Lever	SS304
Lever Nut	SS304
Stem nut	SS304
T Handle (BVX1505/ BVX2005)	SS304
T Handle (BVX1502/ BVX2002)	Al
Extension stem	CW614N

# Gas and Water Ball Valves

Dimensions							
Size	Size (RP)	H	L	L1	L2	L3	ØD
BVX1502	½"	37	59.6	16	54	-	14.8
BVX2002	¾"	41.3	67.4	17	54	-	19
BVX1505	½"	37	66	16	54	-	14.8
BVX2005	¾"	41.3	73.4	17	54	-	19
BVX1001	⅜"	32.8	47.4	12	70	-	10
BVX1501	½"	47.5	59.6	16	95	-	14.8
BVX2001	¾"	49.5	67.4	17	95	-	19
BVX2501	1"	61.3	80	20	115	-	24
BVX3201	1¼"	68.5	93.8	21.4	134	-	32
BVX4001	1½"	78.5	102.6	22.5	140	-	40
BVX5001	2"	86.5	124.2	27	140	-	50
BVX6501	2½"	115	151.2	31.5	220	-	64
BVX10001	4"	143.5	210.6	40.5	220	-	99
BVX1504	½"	46.5	66	16	95	15.5	14.8
BVX2004	¾"	49.5	73.4	17	95	17	19
BVX2003	¾"	87	67.4	17	95	-	19
BVX2503	1"	95	80	20	115	-	24
BVX3203	1¼"	108	93.8	21.4	134	-	32
BVX4003	1½"	114	102.6	22.5	140	-	40
BVX5003	2"	130	124.2	27	140	-	50
BVX1509	½"	39.9	72.4	54	-	-	-
BVX2009	¾"	43	86.4	54	-	-	-

Note: All measurements in mm unless otherwise stated.



# Gas and Water Ball Valves

## Service Conditions

	Water	Gas
Working Temperature Range	0°C to 90°C	0°C to 60°C
Maximum Working Pressure	2500kPa	2500kPa
Medium	Gas and Water	
Handle Colour	Green	

## Installation

Installation is subject to the requirements of the applicable regulatory authority, the National Construction Code Volume Three – Plumbing Code of Australia, associated reference standards as applicable at the time and AS/NZS 3500. This product is compliant to the Lead Free requirements of the National Construction Code Volume Three. For further Scope of Use, please visit [www.rmc.com.au/resources](http://www.rmc.com.au/resources).

## Standards and Approvals



## Warranty

Reliance Worldwide Corporation (Aust.) Pty. Ltd. (RWC) will either replace or repair any defective goods where the defect arose as a result of manufacture within the warranty period. You may contact RWC at the phone number, address or e-mail shown below for further information or to make a claim.

Visit [www.rmc.com.au/warranty](http://www.rmc.com.au/warranty) to view the warranty statement in full and for further important information.