

LEAK PROTECTION VALVE



The HydroBoss Leak Protection Valve is an electronic automated shut off valve for use with a mains water supplied water heater installed with a safe tray that is not plumbed to waste. In the event of a leak, accumulated water in the safe tray is detected by the valve sensor and the water supply is isolated. The valve is designed to be installed in the water supply pipework, adjacent to the cold water inlet of the water heater and upstream of any expansion control valve (if fitted).

TECHNICAL SPECIFICATIONS

Order Code: LPV15

FEATURES AND BENEFITS

- Shut off LED indicator
- Audible alarm trigger warning
- Isolating valve suitable for horizontal and vertical installation
- Meets AS/NZS 3500.4 for protections against damage from leaking water
- Meets AS/NZS 4020 for potable water supply
- Flexible installation - 1200mm cable length between isolating valve and sensor
- Optional universal constant 240V power supply included
- Designed to work on any safe tray
- Sensor contact can be mounted in multiple orientations

TECHNICAL SPECIFICATIONS

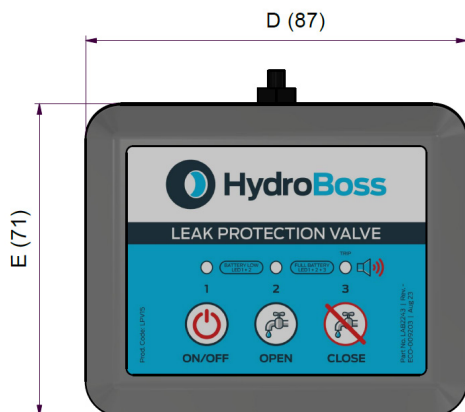
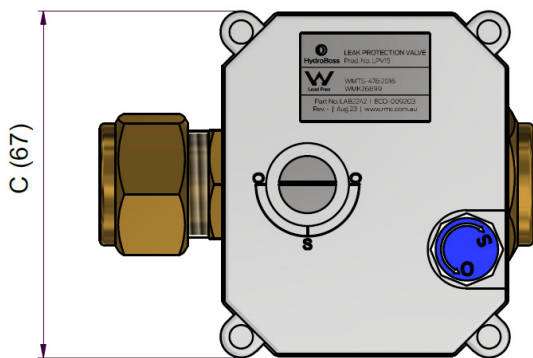
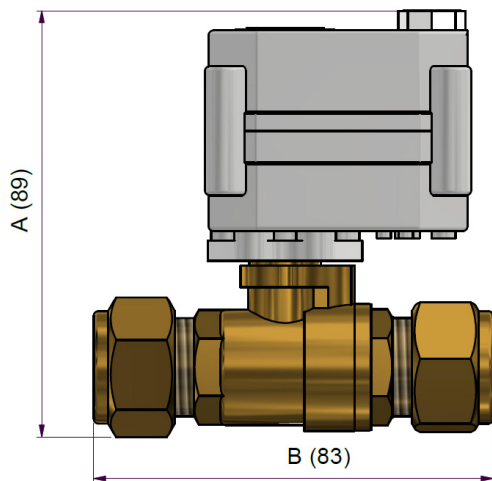
OPERATING SPECIFICATIONS

Fluid medium:	Water
Maximum water supply pressure:	2500kPa
Maximum water temperature:	90°C
Ingress Protection Class:	IP67
Inlet/Outlet connection:	Cn15 (1/2" Comp)
Batteries (included):	Size AA



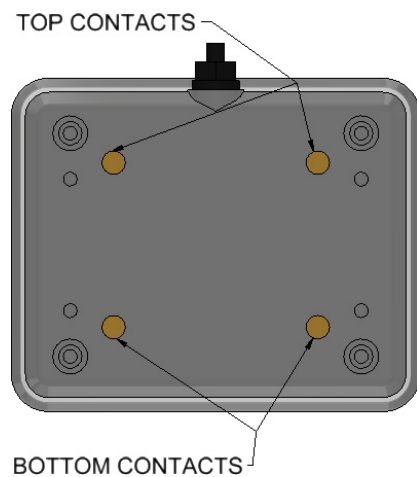
DIMENSIONS (All sizes throughout are in mm unless otherwise stated)

Order Code	A	B	C	D	E	F
LPV15	88	79	79	67	87	71



MATERIALS

Body	Lead free DZR Brass
Locking Cap	Lead free DZR Brass
Ball	SS304
O-Ring	FKM
Sealing	PTFE
Actuator	PPO
Olive	Copper
Nut	Lead free DZR Brass



SUGGESTED INSTALL POSITION (SQUARE BASED 450MM TRAY)



SUGGESTED INSTALL POSITION FOR CURVED CORNER TRAYS

