

# Gladiator Water Meter

## Scope of Use / Specification Sheet

The Gladiator is a polymer positive displacement water meter for domestic applications.



WM212PD

### Product List

Order Code	Description
WM151PD	BSP Thread - 15mm
WM211PD	NSW Thread - 20mm
WM212PD	Meter Thread - 20mm
WM213PB	BSP Thread - 20mm

Note: 20mm Integrated LoRaWAN version available

### Technical Specifications

Maximum Working Pressure	1600 kPa
Maximum Working Temperature	50 °C
Body	Highly Reinforced Composite material
Coupling Threads	BSP, METER, NSW
Register	IP68

### Features and Benefits

- Reinforced polymer body
- Specially designed for high accuracy and wide measuring range
- Lightweight design
- Sealed super-dry register
- Stainless steel, hardened glass and hermetically sealed counter
- Dual check valves
- Brass connectors
- Continuity Strip

### Orientation

The Gladiator Water Meter can be installed in any position

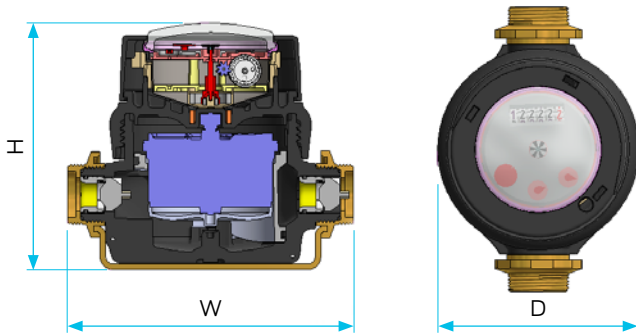
- Horizontal
- Vertical
- Inclined

# Gladiator Water Meter

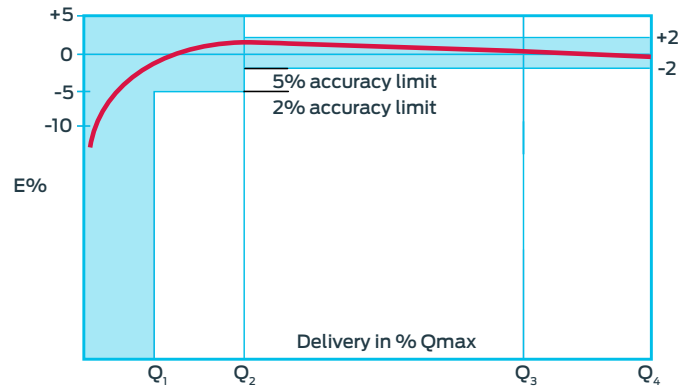
## Dimensions

Size	W	H	D
15mm	152	133	108
20mm	154	133	108
20mm LoRa	154	148	108

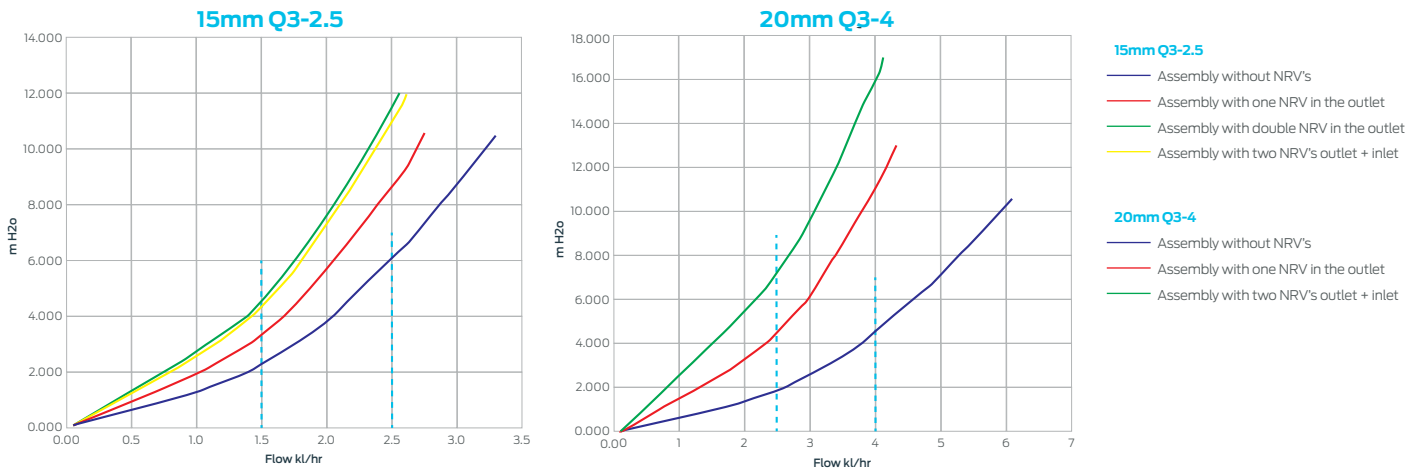
Note: All measurements in mm unless otherwise stated.



## Accuracy Curve



## Head Loss Curve



## Performance Specifications

Model	Nominal Size (MM)	Q4 Maximim Flowrate (kl/h)	Q3 Nominal Flowrate (kl/h)	Q2 Transitional Flowrate (l/h)	Q1 Minimim Flowrate (l/h)	R Q3/Q1	$\Delta p$ at Q3 max	Maximum Register Capacity (kl)	Minimum Register Capacity (l)	Sensitivity (l/h)
WM151PD	15	3.125	2.5	10.00	6.25	400	63	10 <sup>5</sup>	0.02	1
WM211PD	20	5.0	4.0	25.60	16	250	63	10 <sup>5</sup>	0.02	2
WM212PD	20	5.0	4.0	25.60	16	250	63	10 <sup>5</sup>	0.02	2
WM213PD	20	5.0	4.0	25.60	16	250	63	10 <sup>5</sup>	0.02	2

# Gladiator Water Meter

## Standards and Approvals

- NMI R49



WMK 26311  
AS3565.1

## Installation

Installation is subject to the requirements of the applicable regulatory authority, the National Construction Code Volume Three – Plumbing Code of Australia, associated reference standards as applicable at the time and AS/NZS 3500.1.

## Warranty

Reliance Worldwide Corporation (Aust.) Pty. Ltd. (RWC) will either replace or repair any defective goods where the defect arose as a result of manufacture within the warranty period. You may contact RWC at the phone number, address or e-mail shown below for further information or to make a claim.

Visit [www.rmc.com.au/warranty](http://www.rmc.com.au/warranty) to view the warranty statement in full and for further important information.