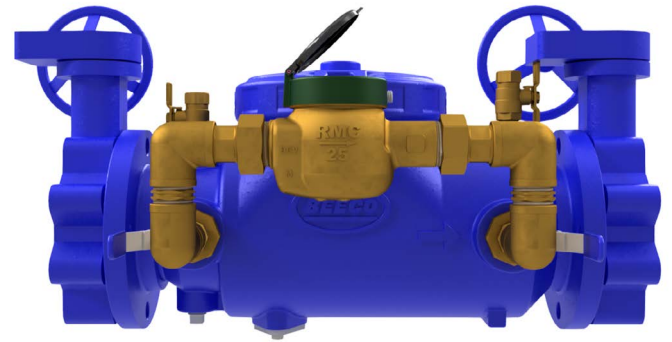


Single Check and Single Detector Check

Scope of Use / Specification Sheet

The Single Check and Single Detector Check Valve Assembly backflow preventer protects against backflow by either back-pressure or back-siphonage from a cross-connection between potable water systems and substances in 'low hazard' conditions in fire sprinkler systems.



SCDT100

Product Code

Model	Size	Product Code
Flanged	100mm*	SCT100
	150mm*	SCT150
	100mm	SCDT100
	150mm	SCDT150
Metered Bypass Kit	20mm	SDKIT20
	25mm	SDKIT25

*with optional 20mm or 25mm Bypass Kit

Note: 200mm Devices available on request.

Description

The device is constructed from ductile iron (65-45-12). It consists of one (1) spring-loaded, center stem, guided check valve. The device has a cast ductile iron body, with a single access cover utilizing a grooved pipe coupling. The assembly has two (2) BSP tapped holes located upstream and downstream of the check valve for installation of the by-pass assembly (including a single check valve, shut-off valve and water meter) for detecting low flow.

Installation

Installation is subject to the requirements of the applicable regulatory authority, the National Construction Code Volume Three – Plumbing Code of Australia, associated reference standards as applicable at the time and AS/NZS 3500.1.

Features and Benefits

- Device has top access entry for servicing
- End connections are Table E Flanged
- Floating flange design for fast and easy installation
- Each check valve seat constructed from Noryl™ or bronze, and is replaceable
- Check valve held in place by a stainless steel clip
- Backflow preventer suitable for supply pressure up to 1200kPa and water temperatures up to 60°C

Materials

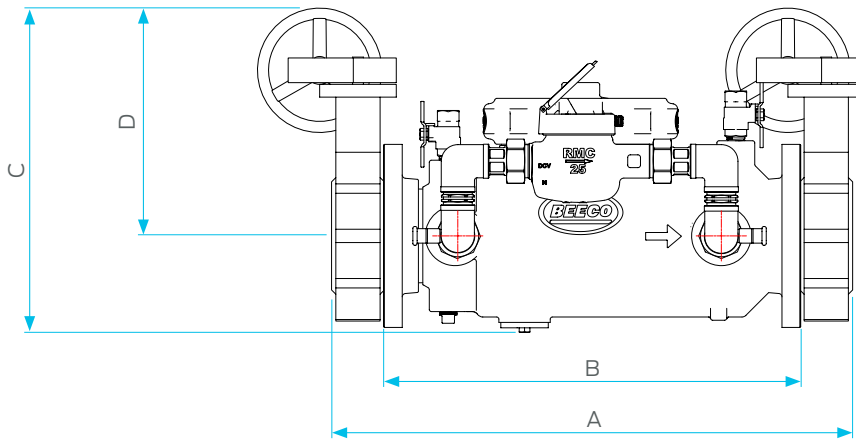
Valve Body	Ductile Iron
Access Cover	Ductile Iron
Polymers	Noryl™, NSF Listed
Elastomers	Silicone EPDM (FDA approved)
Springs	Stainless Steel
Coating	FDA approved fusion epoxy

Single Check and Single Detector Check

Dimensions

Size	Part Number	A	B	C	D	Width	Wgt	Wgt (Bypass)
100mm	SCT100	574	470	382	268	290	41.0	3.0
150mm	SCT150	690	578	430	304	290	80.0	4.0
100mm	SCDT100	574	470	382	268	290	38.0	-
150mm	SCDT150	690	578	430	304	290	76.0	-

Note: All measurements in mm unless otherwise stated. All weights are in kg unless otherwise stated.



Technical Specifications

Maximum working pressure	1200kPa
Maximum working temperature	60°C
Hydrostatic Test Pressure	2400kPa
End Connections	Table E AS 2129
Flanged	Table E AS 2129

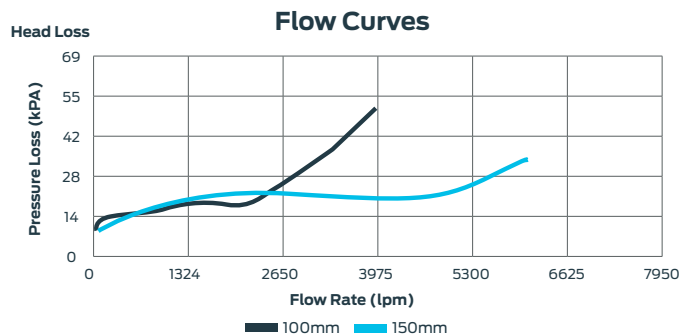
Warranty

Reliance Worldwide Corporation (Aust.) Pty. Ltd. (RWC) will either replace or repair any defective goods where the defect arose as a result of manufacture within the warranty period. You may contact RWC at the phone number, address or e-mail shown below for further information or to make a claim.

Visit www.rwc.com.au/warranty to view the warranty statement in full and for further important information.

Flow Characteristics

100mm – 150mm MODEL SCT / SCDT



Standards and Approvals



AS/NZS 2845.1:2010
WM74542