

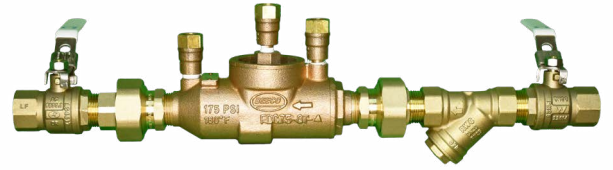
Double Check Valves

Scope of Use / Specification Sheet

The RWC BEECO Double Check Valve is designed to give protection against medium hazard backflow situations.

The device features two mechanically independent, spring loaded, centre stem, guided check valves. The device has a cast iron or lead-free bronze body, with a single access cover. The assembly has three vertical test cocks and two shut off valves which are quarter-turn, full port and resilient seated.

The seat of each check valve is constructed from Noryl™ and is replaceable. The check valves are held in place by a Noryl™ or stainless steel clips.



DCV20C



DCV100

Features and Benefits

- Lead-Free Bronze or Cast Iron Design
- Corrosion resistant
- Designed for easy and quick in line maintenance and testing
- 65mm to 200mm sizes incorporate a floating flange design for ease of installation
- Low head loss
- Interchangeable poppet and spring
- Maximum working pressure of 1200kPa
- Operating temperature range of 1°C to 82°C up to 50mm BSP Threaded
- Operating temperature range of 1°C to 60°C from 65mm to 200mm Flanged Table E
- Approved to AS/NZS 2845-1

Materials

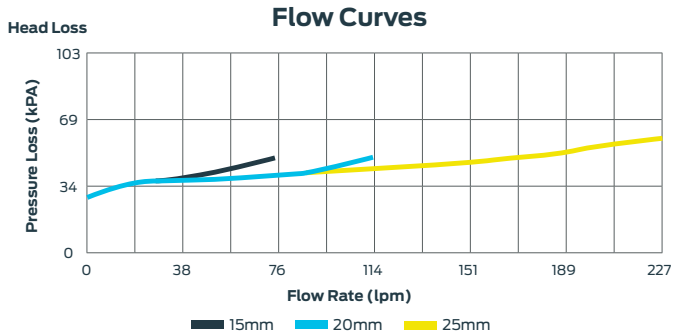
	20mm - 50mm	65mm - 200mm
Valve Body	Lead-Free Bronze	Ductile Iron
Access Cover	Lead-Free Bronze	Ductile Iron
Polymers	Noryl™, NSF Listed	Noryl™, NSF Listed
Elastomers	Silicone	Silicone, EPDM (FDA approved)
Springs	Stainless Steel	Stainless Steel
Coating	-	FDA approved fusion epoxy

Product Code	Device Only	Complete
15mm	DCV15	DCV15C
20mm	DCV20	DCV20C
25mm	DCV25	DCV25C
32mm	DCV32	DCV32C
40mm	DCV40	DCV40C
50mm	DCV50	DCV50C
65mm	DCV65	DCV65C
80mm	DCV80	DCV80C
100mm	DCV100	DCV100C
150mm	DCV150	DCV150C
200mm	DCV200	DCV200C

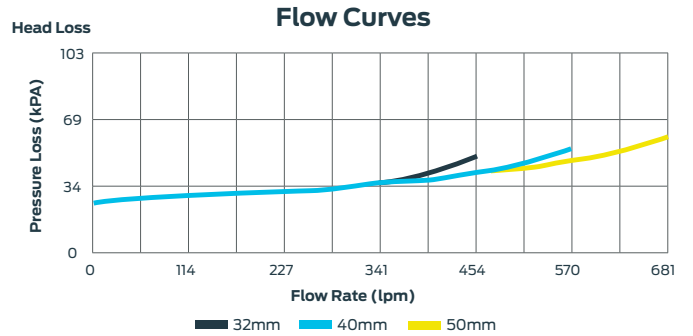
Double Check Valves

Flow Characteristics

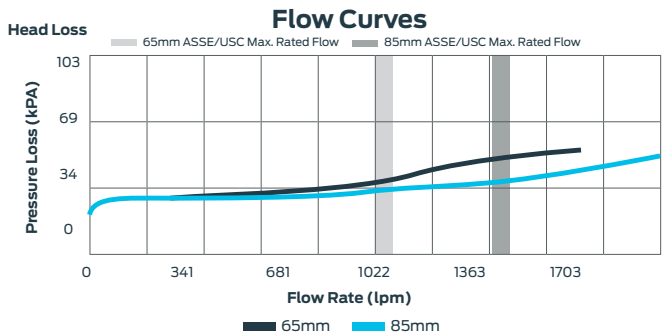
15mm – 25mm MODEL DCV



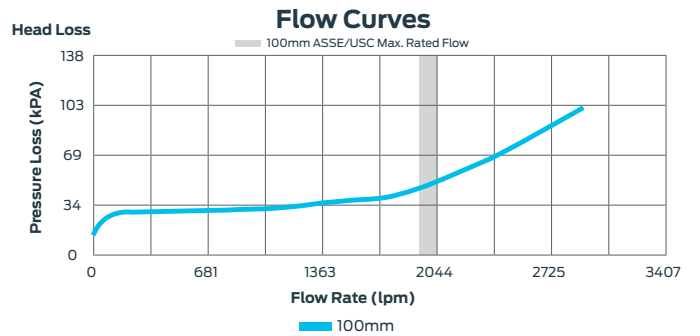
32mm – 50mm MODEL DCV



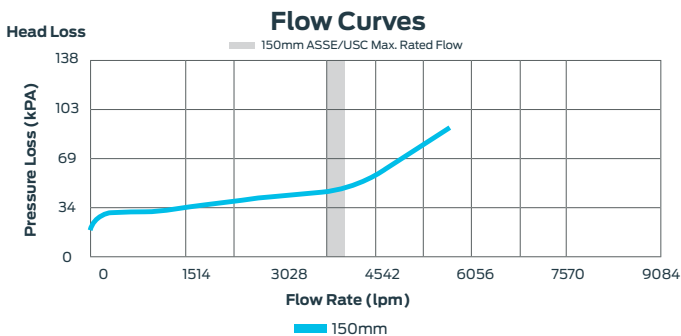
65mm – 85mm MODEL DCV



100mm MODEL DCV



150mm MODEL DCV



Double Check Valves

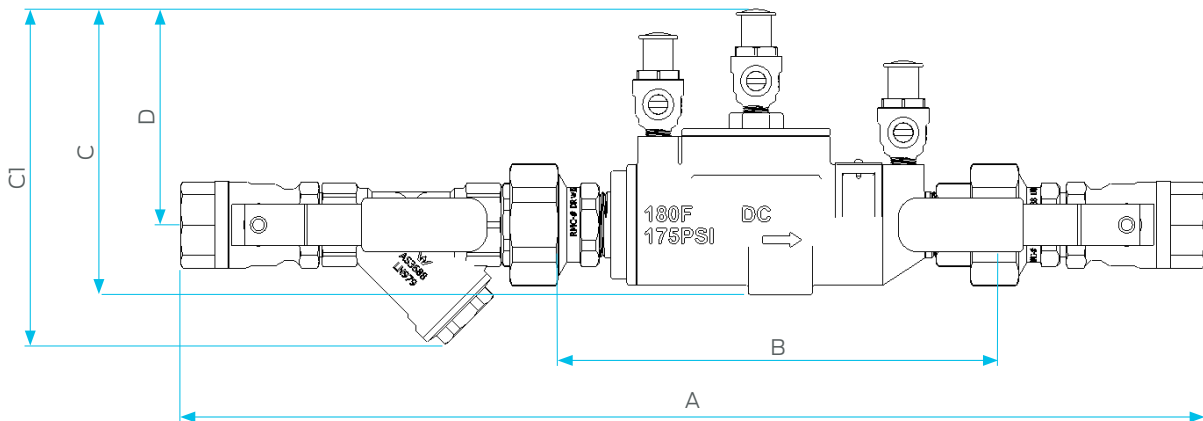
Performance Specifications

	15mm - 50mm	65mm - 200mm
Maximum working pressure	1200kPa	1200kPa
Maximum working temperature	82°C	60°C
Hydrostatic test pressure	2400kPa	2400kPa
Pipe connection	BSP Thread	Table E AS2129 Floating Flange

15-50mm Dimensions

Size	Part #	A	B	C1 with BV & Strainer	C	D	Width	Weight with BV	Weight less BV
15	DCV15C	382	169	129	115	88	61	3.5	2.5
20	DCV20C	415	169	135	115	88	64	4.1	2.5
25	DCV25C	485	202	152	128	92	74	4.9	2.6
32	DCV32C	566	233	173	150	105	90	7.1	3.2
40	DCV40C	605	228	164	150	106	90	13.3	8.3
50	DCV50C	719	272	206	172	119	115	16.3	8.3

Note: All measurements in mm and kg unless otherwise stated.
Lockable assembly has same dimensions

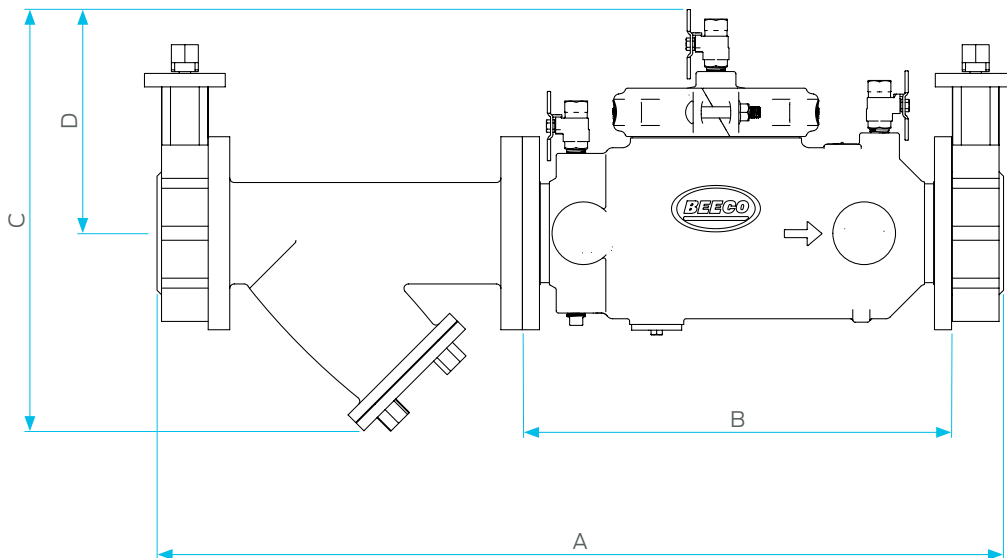


Double Check Valves

65-200mm Dimensions

Size	Part #	A	B	C	D	Width	Weight with BV	Weight less BV
65	DCV65C	980	600	408	250	277	69	45
80	DCV80C	1000	600	427	250	277	76	47
100	DCV100C	925	470	475	250	277	126	39
150	DCV150C	1168	578	638	332	320	149	77
200	DCV200C	1515	851	820	402	521	338	199

Note: All measurements in mm and kg unless otherwise stated.



Standards and Approvals



AS/NZS
2845.1:2010LIC
WM74542

Installation

Installation is subject to the requirements of the applicable regulatory authority, the National Construction Code Volume Three – Plumbing Code of Australia, associated reference standards as applicable at the time and AS/NZS 3500.1.

Warranty

Reliance Worldwide Corporation (Aust.) Pty. Ltd. (RWC) will either replace or repair any defective goods where the defect arose as a result of manufacture within the warranty period. You may contact RWC at the phone number, address or e-mail shown below for further information or to make a claim.

Visit www.rmc.com.au/warranty to view the warranty statement in full and for further important information.