

# Backflow in Single and Dual Recessed Cabinets

## Scope of Use / Specification Sheet

The RWC BEECO Range is supplied with RPZDs in Stainless Steel Boxes. The device comes fully assembled into the stainless steel cabinet with side entry threaded connections and 40mm waste outlet.

The range is available in 15mm, 20mm and 25mm single assemblies, and 15mm, 20mm, and 25mm dual assemblies.



RPZ20SSBC-2

### Product Code

Model		Catalogue Number
Single RPZ in Stainless Steel Box	15mm	RPZ15SSBC-1
	20mm	RPZ20SSBC-1
	25mm	RPZ25SSBC-1
Dual RPZ in Stainless Steel Box	15mm	RPZ15SSBC-2
	20mm	RPZ20SSBC-2
	25mm	RPZ25SSBC-2

### Materials

Valve box	304 stainless steel – 0–90° cam lock Perspex – viewing window
Internal Components	Bronze body – RPZD complete with ball valves, Y strainer and unions

### Technical Specifications – RPZD

Maximum Temperature	82°C
Maximum Pressure	1200kPa

### Installation

Installation is subject to the requirements of the applicable regulatory authority, the National Construction Code Volume Three – Plumbing Code of Australia, associated reference standards as applicable at the time and AS/NZS 3500.1.

### Features and Benefits

- Fully assembled
- Side entry threaded connections
- Lockable and removable front cover
- Perspex viewing window
- In-wall mounting brackets
- 304 stainless steel
- Offset relief ports
- Top entry test points

### Application

The RWC BEECO RPZD in Stainless Steel Box provides maximum protection to the potable water supply from contamination in high hazard applications.

The boxes are constructed from 304 Stainless Steel, in two sizes, with compact in-wall dimensions.

The front panel is adjustable with a lockable door to prevent unwanted access, and a 400mm x 100mm viewing panel is included in the construction for ease of inspection.

### Standards and Approvals



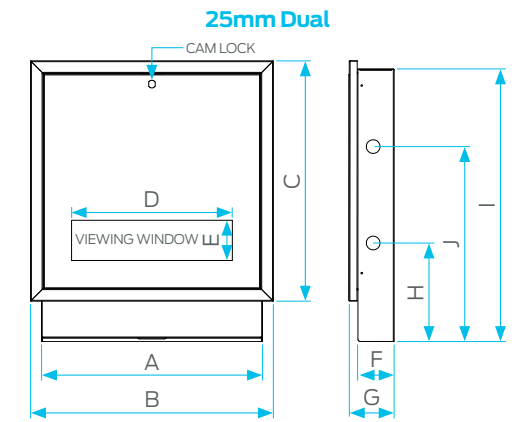
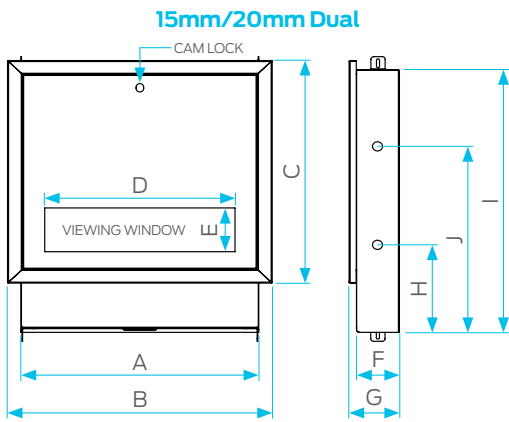
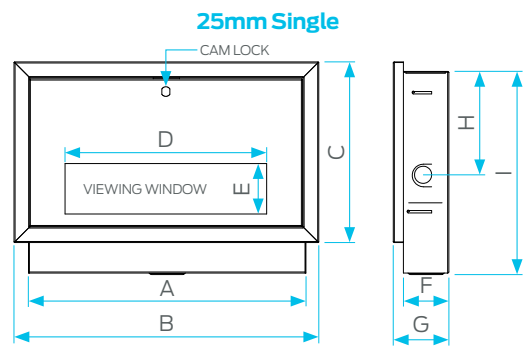
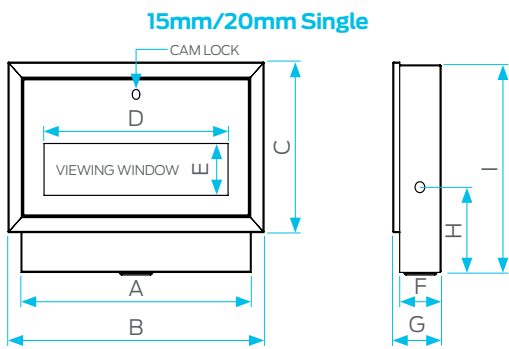
AS 1357.2  
WM74542

# Backflow in Single and Dual Recessed Cabinets

## Dimensions

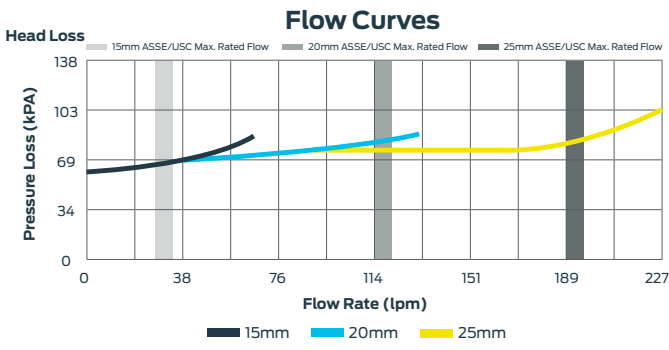
Size	Style	A	B	C	D	E	F	G	H	I	J
15mm/20mm	Single	500	555	329	400	100	90	105	165	400	-
	Dual	500	555	509	400	100	90	105	200	600	425
25mm	Single	550	605	358	400	100	90	110	205	400	-
	Dual	550	605	598	400	100	90	110	245	680	485

Note: All measurements in mm unless otherwise stated.



## Flow Characteristics

### 15mm – 25mm MODELS



## Warranty

Reliance Worldwide Corporation (Aust.) Pty. Ltd. (RWC) will either replace or repair any defective goods where the defect arose as a result of manufacture within the warranty period. You may contact RWC at the phone number, address or e-mail shown below for further information or to make a claim.

Visit [www.rwc.com.au/warranty](http://www.rwc.com.au/warranty) to view the warranty statement in full and for further important information.