

Sub-Metering Bracket

Scope of Use / Specification Sheet

The RMC Sub-Metering Bracket has been developed to improve the quality of sub-meter services while reducing the installation costs.



KIT227EX



KIT227Q

Product Code

Model	Catalogue Number
Sub-Metering Bracket with extendable coupling	KIT227EX
Sub-Metering Bracket QUU	KIT227Q
SharkBite PEX	KIT228
SharkBite Copper	KIT229
Copper Connection – NSW Thread	KIT232
Copper Connection – NSW Thread with spacer	KIT233

**Water meter sold separately*

Installation

Installation is subject to the requirements of the applicable regulatory authority, the National Construction Code Volume Three – Plumbing Code of Australia, associated reference standards as applicable at the time and AS/NZS 3500.1.

Features and Benefits

- Fully pre-assembled for fast installation
- Complies with Water Utility requirements
- Full DZR Brass components
- Lockable inlet ball valve
- Standard meter connection couplings
- Long service life components
- Reduced installation costs
- Fast service connection and meter installation/replacement
- Can be installed in vertical or horizontal positions

Warranty

Reliance Worldwide Corporation (Aust.) Pty. Ltd. (RWC) will either replace or repair any defective goods where the defect arose as a result of manufacture within the warranty period. You may contact RWC at the phone number, address or e-mail shown below for further information or to make a claim.

Visit www.rmc.com.au/warranty to view the warranty statement in full and for further important information.

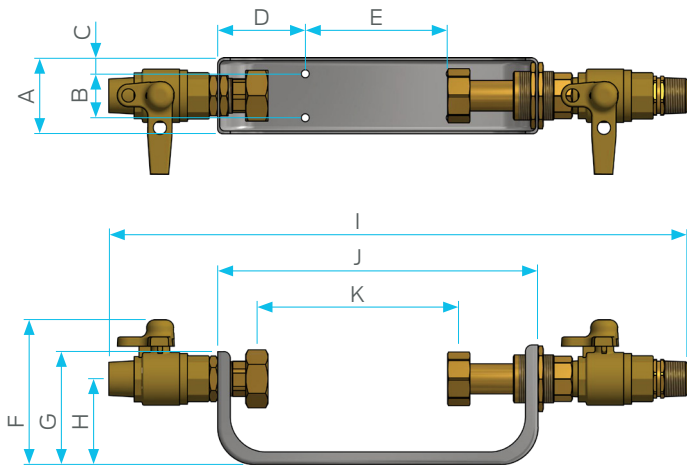
Sub-Metering Bracket

Dimensions

Size	A	B	C	D	E	F	G	H	I	J	K
KIT227EX	57	33	12	67	110	111	86	65	405	243	154
KIT227Q	57	33	12	67	110	111	86	65	443	243	154

Note: All measurements in mm unless otherwise stated.

KIT227EX



KIT227Q

