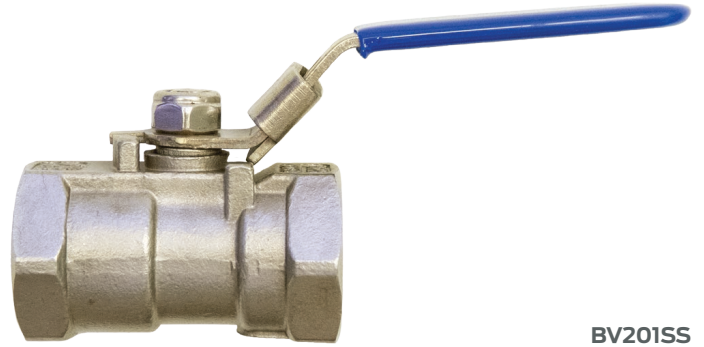


Stainless Steel Ball Valves

Scope of Use / Specification Sheet

The RMC Stainless Steel Ball Valves range in size from 15mm to 50mm. RMC can also supply a variety of fittings such as compression, capillary and more, to fit most connection needs.



BV201SS

Product Code

Model	Size	Catalogue Number
Reduced Bore - F&F Lever Ball Valve (1 piece)	15mm	BV151SS
	20mm	BV201SS
	25mm	BV251SS
Full Bore - F&F Lever Ball Valve (2 piece)	15mm	BV152SS
	20mm	BV202SS
	25mm	BV252SS
	32mm	BV322SS
	40mm	BV402SS
F&F Lever Ball Valve (3 piece)	15mm	BV153SS
	20mm	BV203SS
	25mm	BV253SS
	32mm	BV323SS
	40mm	BV403SS
	50mm	BV503SS

Installation Conditions

Working Temperature Range	0°C to 230°C
Maximum Working Pressure	6900kPa (10-32mm) 5500kPa (40-50mm)
Medium	Water or oil

Features and Benefits

- Stainless steel construction
- Bottom loading, dual O-Ring sealed stem
- Resilient seats
- Lockable in either open or closed position
- Long life performance through its high quality components
- Light weight construction for ease of handling
- Quality guaranteed product

Installation

Installation is subject to the requirements of the applicable regulatory authority, the National Construction Code Volume Three – Plumbing Code of Australia, associated reference standards as applicable at the time and AS/NZS 3500.1.

Stainless Steel Ball Valves

Dimensions - Reduced Bore

Model	Size	D	L	H	W	A
BV151SS	1/2"	9	56	33	95	25
BV201SS	3/4"	12.5	60	36	95	32
BV251SS	1"	15	72	43	110	38.5

Note: All measurements in mm unless otherwise stated.

Dimensions - Full Bore

Model	Size	d	L	H	HI	W	DA
BV152SS	1/2"	15	56	52	26	100	33
BV202SS	3/4"	20	65	59	30	125	41
BV252SS	1"	25	75	65	35	130	48
BV322SS	1 1/4"	32	90	74	41	155	61
BV402SS	1 1/2"	38	98	82	48	155	69
BV502SS	2"	50	123	94	55	185	88

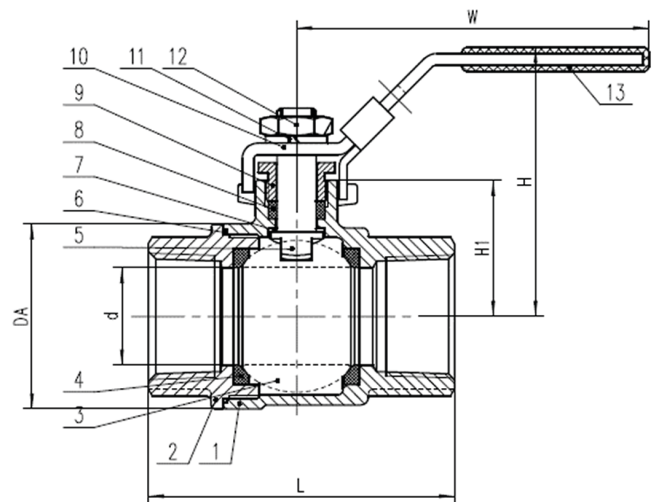
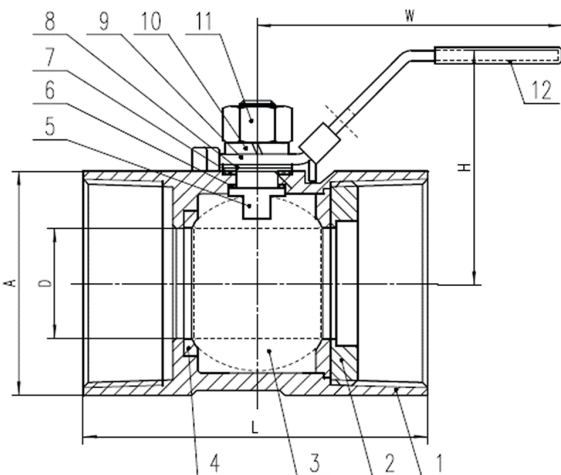
Note: All measurements in mm unless otherwise stated.

Materials

1	Body	SS304
2	Cap	SS304
3	Ball	SS304
4	Seat	R-PTFE
5	Stem	SS304
6	Thrust washer	R-PTFE
7	Packing	PTFE
8	Pin	SS304
9	Handle	SS304
10	Washer	SS301
11	Nut	SS304
12	Handle sleeve	Plastic

Materials

1	Body	SS304
2	Cap	SS304
3	Ball	SS304
4	Seat	R-PTFE
5	Stem	SS316
6	Body gasket	PTFE
7	Thrust washer	PTFE
8	Packing	PTFE
9	Gland nut	SS304
10	Handle	SS430
11	Washer	SS301
12	Nut	SS304
13	Handle sleeve	Plastic



Stainless Steel Ball Valves

Dimensions

Model	Size	ØD	L	H	H1	W	H2
BV153SS	½"	15	64	52	26	100	21
BV203SS	¾"	20	72	59	30	125	25
BV253SS	1"	25	82	65	35	130	28
BV323SS	1¼"	32	95	74	41	155	32
BV403SS	1½"	38	105	82	48	155	39
BV503SS	2"	50	125	94	55	185	45

Note: All measurements in mm unless otherwise stated.

Warranty

Reliance Worldwide Corporation (Aust.) Pty. Ltd. (RWC) will either replace or repair any defective goods where the defect arose as a result of manufacture within the warranty period. You may contact RWC at the phone number, address or e-mail shown below for further information or to make a claim.

Visit www.rmc.com.au/warranty to view the warranty statement in full and for further important information.

Materials

1	Body	SS304
2	Cap	SS304
3	Ball	SS304
4	Seat	R-PTFE
5	Stem	SS316
6	Thrust washer	PTFE
7	Packing	PTFE
8	Gland nut	SS304
9	Handle	SS430
10	Washer	SS301
11	Nut	SS304
12	Bolt	SS304
13	Washer	SS301
14	Nut	SS304
15	Handle sleeve	Plastic

