

PS Range

Pressure Limiting Valves

Scope of Use / Specification Sheet

RMC's PS Pressure Limiting Valves regulate inlet supply line pressure to a preset maximum.

PS Pressure Limiting Valves are ideal for use with high pressure storage water heaters, water meter assemblies, water softeners etc.



Product Code

| Model | | 350kPa | 500kPa | 600kPa |
|--------|-------------|--------|--------|--------|
| PS50 | Female BSP | PS501 | PS502 | PS503 |
| PS50-C | Compression | PSC501 | PSC502 | PSC503 |
| PS75 | Female BSP | PS701 | PS702 | PS703 |
| PS100 | Female BSP | PS1001 | PS1002 | PS1003 |

Description

RMC's PS Pressure Limiting Valves are of a T-shaped design. PS Pressure Limiting Valves are available in 15mm, 20mm and 25mm configurations.

RMC PS Pressure Limiting Valves are suitable for use to limit supply pressure below the set pressure of the expansion control valve and/or pressure and temperature relief valve on a high pressure storage water heater. The PS range of valves can be used interchangeably with the PSL range.

Materials

| | |
|-----------------|---------------------------|
| Body | Cast Gunmetal / Brass |
| Internal Parts | Brass and Stainless Steel |
| Seat Disc | Silicone |
| Pressure Spring | Stainless Steel |
| Piston | Acetal / Brass |

Features and Benefits

- High pressure and temperature tolerances
- Suitable for a wide variety of pressure limiting applications
- Dezincification resistant
- Meets Australian Standard for potable water supply
- Suitable for horizontal or vertical installation. Valve designed to work effectively in either orientation
- Available in fixed outlet pressure settings of 350kPa, 500kPa and 600kPa

Note

This valve is of a piston based design and needs a vent hole to ensure operation. If this valve is exposed to high inlet pressures (e.g. Poor water conditions or under water hammer conditions), damage to the valve can result in water leaking through the vent hole.

This hole should not be covered or filled in any way to prevent malfunction of this valve. It is recommended to not install this valve in enclosed spaces or areas where the venting of water has a potential to cause damage.

PS Range Pressure Limiting Valves

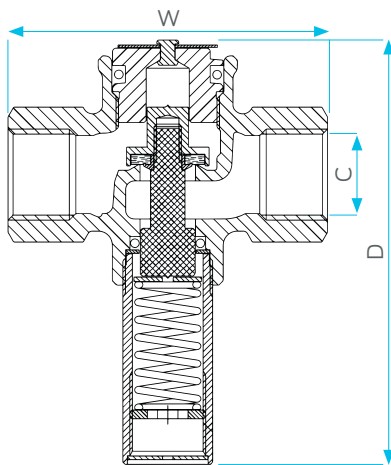
Specifications

| Model | DN Size | Inlet/Outlet Fittings | Standard Pressure Settings Available (kPa) | Maximum Inlet Pressure (kPa) | Maximum Temperature |
|--------|---------|-----------------------|--|------------------------------|---------------------|
| PS50-C | 15 | Compression | 350, 500, 600 | 1400 | 40°C |
| PS50 | 15 | BSP (FI) | 350, 500, 600 | 1400 | 40°C |
| PS75 | 20 | BSP (FI) | 350, 500, 600 | 1400 | 40°C |
| PS100 | 25 | BSP (FI) | 350, 500, 600 | 1400 | 40°C |

Dimensions

| Model | Width (W) | Diameter (D) | Connection (C) |
|--------|-----------|--------------|---------------------|
| PS50 | 74 | 98 | G½ Internal |
| PS50-C | 80 | 98 | G½ Male Compression |
| PS75 | 80 | 114 | G¾ Internal |
| PS100 | 103 | 94 | G1 Internal |

Note: All measurements in mm unless otherwise stated.



Flow Rates

| Nominal Diameter | Flow Rate for 350kPa Set Pressure |
|------------------|-----------------------------------|
| 15mm | 45 l/min at 700kPa inlet |
| 20mm | 80 l/min at 700kPa inlet |
| 25mm | 150 l/min at 700kPa inlet |

Colour Code

| Pressure Setting | Rating Plate Colour |
|------------------|-----------------------|
| 350kPa | Yellow print and text |
| 500kPa | Black print and text |
| 600kPa | Blue print and text |

Installation

Installation is subject to the requirements of the applicable regulatory authority, the National Construction Code Volume Three – Plumbing Code of Australia, associated reference standards as applicable at the time and AS/NZS 3500.1.

Standards and Approvals



AS 1357.2
WMKA0938

Warranty

Reliance Worldwide Corporation (Aust.) Pty. Ltd. (RWC) will either replace or repair any defective goods where the defect arose as a result of manufacture within the warranty period. You may contact RWC at the phone number, address or e-mail shown below for further information or to make a claim.

Visit www.rmc.com.au/warranty to view the warranty statement in full and for further important information.