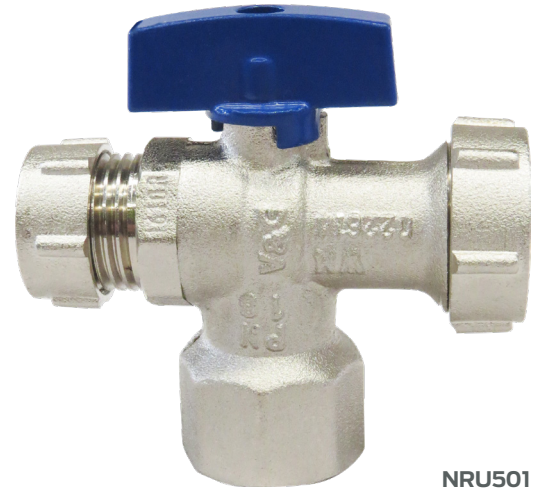


# Isolating Non-Return Undersink Valve

## Scope of Use / Specification Sheet

The RMC Isolating Non-Return Undersink Valve is the ideal solution to manage multiple connections. It has a single inlet, with multiple outlets to suit various applications. With an internal non-return valve, the two outlets can be connected to the same valve without the risk of a cross connection.



### Product Code

Size	Product Code
15mm Inlet	NRU501

### Technical Specifications

Maximum Allowable Opening Pressure	1920 kPa
Maximum Operating Temperature	80°C
Fluid Media	Water

### Features and Benefits

- Approved to AS 5830.1
- Integrated non-return valve
- Different markers for hot and cold water applications

### Application

The RMC Isolating Non-Return Undersink Valve is intended for installations under a sink to allow for connections to multiple appliances.

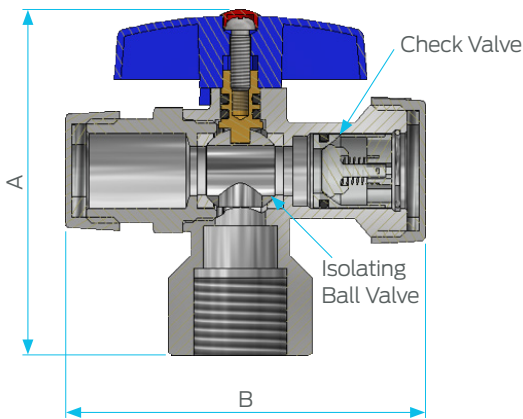
The valve is suited for both hot and cold water applications and can be easily identified by using the correct coloured marker on the handle.

# Isolating Non-Return Undersink Valve

## Dimensions

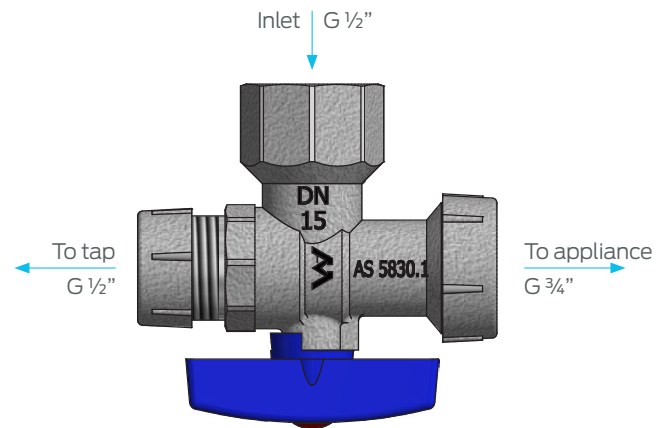
Size	A	B
15mm	69	73

Note: All measurements in mm unless otherwise stated.



## Connections and Installation

Tap Outlet	Appliance Outlet	Inlet
G 1/2"	G 3/4"	G 1/2"
15mm	20mm	15mm
Male	Male	Female



## Installation

Installation is subject to the requirements of the applicable regulatory authority, the National Construction Code Volume Three – Plumbing Code of Australia, associated reference standards as applicable at the time and AS/NZS 3500.1.

## Standards and Approvals



AS 5830.1  
WM-022614

## Warranty

Reliance Worldwide Corporation (Aust.) Pty. Ltd. (RWC) will either replace or repair any defective goods where the defect arose as a result of manufacture within the warranty period. You may contact RWC at the phone number, address or e-mail shown below for further information or to make a claim.

Visit [www.rmc.com.au/warranty](http://www.rmc.com.au/warranty) to view the warranty statement in full and for further important information.