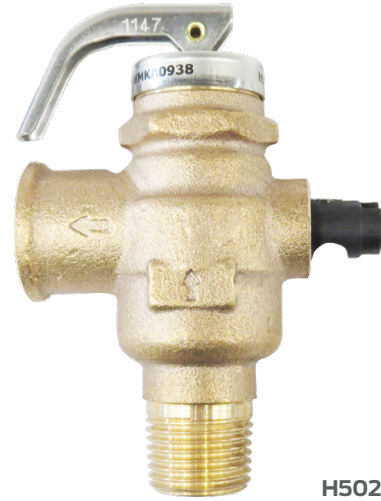


High Pressure Expansion Control Valve

Scope of Use / Specification Sheet

The RMC High Pressure Expansion Control Valve limits the maximum pressure in a pressurised, unvented water heater system by relieving excess pressure to the drain line.



H502

Product Code

Model	Set Pressure	Catalogue Number
15mm	550kPa	H502
15mm	700kPa	H504
15mm	850kPa	H506
15mm	1200kPa	H511
15mm	1400kPa	H513
20mm	550kPa	H702
20mm	700kPa	H703
20mm	850kPa	H704
20mm	1200kPa	H707
20mm	1400kPa	H708

Description

The RMC High Pressure Expansion Control Valve is available in 15mm and 20mm configurations. The valve should only be installed on the cold or inlet supply of a water heater, as the valve is primarily intended to cope with the excess pressure generated during a normal heating cycle.

Installation

Installation is subject to the requirements of the applicable regulatory authority, the National Construction Code Volume Three – Plumbing Code of Australia, associated reference standards as applicable at the time and AS/NZS 3500.1.

Features and Benefits

- Increased heating efficiency
- Releasing pressure at the inlet saves energy by not purging heated water
- Auxiliary pressure relief device
- Additional protection in the event of drain line blockage obstruction
- Dezincification resistant
- Meets Australian Standard for potable water supply
- Sealed spring cavity prevents spring from seizing in the event of calcification
- Valve designed to work effectively in vertical or horizontal installations

Application

The RMC High Pressure Expansion Control Valve range is suitable for use on water heater inlets for any application where expansion safeguards are necessary. RMC recommends installing a High Pressure Expansion Control Valve as part of a complete inlet control system for water heater applications.

Please ensure that the set pressure of the High Pressure Expansion Control Valve is suitable for use with the water heater it will be installed with. For more information refer to the RMC Valve Application Guide.

High Pressure Expansion Control Valve

Technical Specifications

	15mm	20mm
Maximum Temperature	99°C	99°C
Kilowatt Capacity	20kW	60kW
Inlet Connection	R $\frac{1}{2}$	R $\frac{3}{4}$
Outlet Connection	G $\frac{1}{2}$	G $\frac{3}{4}$

Materials

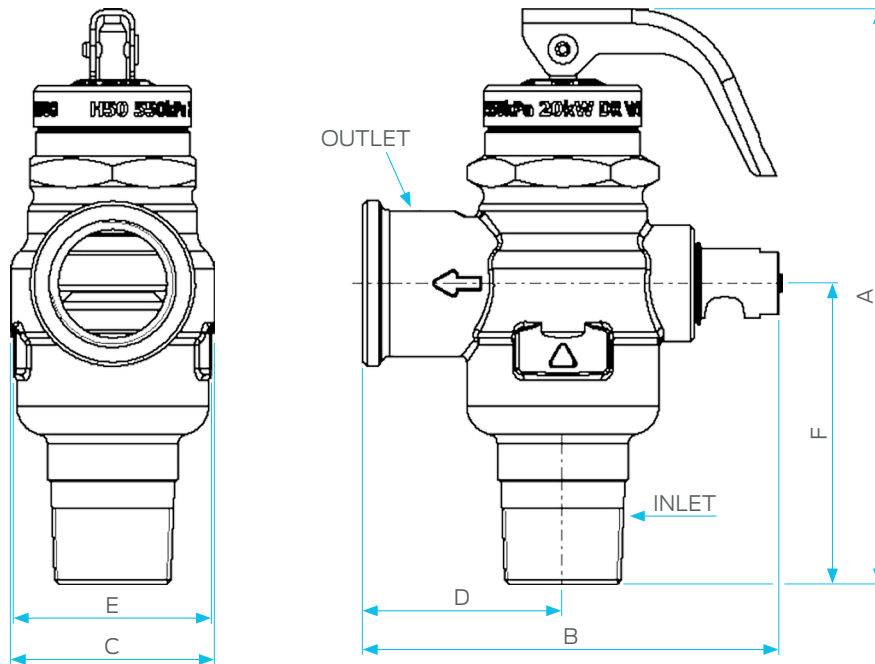
Body	DR Brass
Pressure Spring	Stainless Steel
Internal Components	Brass/Polysulfone
Seat Disc	Silicone
Auxiliary Relief	Polyamide

Dimensions

Model	Inlet	Outlet	A	B	C	D	E*	F
H50 Expansion Control Valve 15mm	R $\frac{1}{2}$	G $\frac{1}{2}$ Female	99	71	35	34	34	52
H75 Expansion Control Valve 20mm	R $\frac{3}{4}$	G $\frac{3}{4}$ Female	98	74	35	38	34	50

Note: All measurements in mm unless otherwise stated.

*Across flats



Standards and Approvals



AS 1357.1
WMKA0938

Warranty

Reliance Worldwide Corporation (Aust.) Pty. Ltd. (RWC) will either replace or repair any defective goods where the defect arose as a result of manufacture within the warranty period. You may contact RWC at the phone number, address or e-mail shown below for further information or to make a claim.

Visit www.rmc.com.au/warranty to view the warranty statement in full and for further important information.