

FloodGuard™ Isolation Valve

Scope of Use / Specification Sheet

The FloodGuard™ Isolation Valve is designed for ease of installation with integrated loose nut connection. The inbuilt FloodGuard™ will shut down water flow in the event of a hose or pipe burst.



Product Code

Size	Product Code
15mm	FGI500

Materials

Body	DZR Brass
Spring	Stainless Steel
O-Ring	Nitrile
Handle	Aluminium
Stem	Stainless Steel
Nut	Stainless Steel
Indicator Cap	Polyethylene

Features and Benefits

- Automatically resets after activation and repair
- Captive loose nut design
- Hot and cold indicator buttons
- Filter style washer
- Suitable for horizontal and vertical installations
- Integrated isolation

Applications

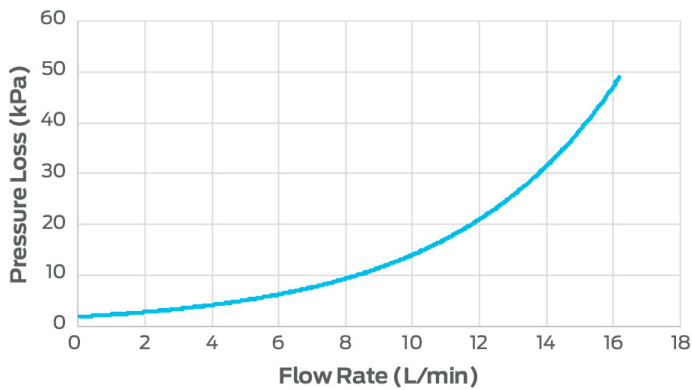
The RMC DN15 FloodGuard™ Isolation Valve is designed to reduce the extent of flooding and water damage caused from a burst flexible hose. The captive loose nut design allows for quick and easy installation. Incorporating an isolation point with the FloodGuard™ makes the product suitable for new or retrofit installations.

FloodGuard™ Isolation Valve

Technical Specifications

Minimum water supply pressure	200kPa
Maximum water supply pressure	1000kPa
Maximum water temperature	85°C
Shut-down flow rate	Exceeds 14-17 L/min
Inlet loose nut connection	G½
Outlet connection	G½ B

Flow Curve



Warranty

Reliance Worldwide Corporation (Aust.) Pty. Ltd. (RWC) will either replace or repair any defective goods where the defect arose as a result of manufacture within the warranty period. You may contact RWC at the phone number, address or e-mail shown below for further information or to make a claim.

Visit www.rmc.com.au/warranty to view the warranty statement in full and for further important information.

Standards and Approvals

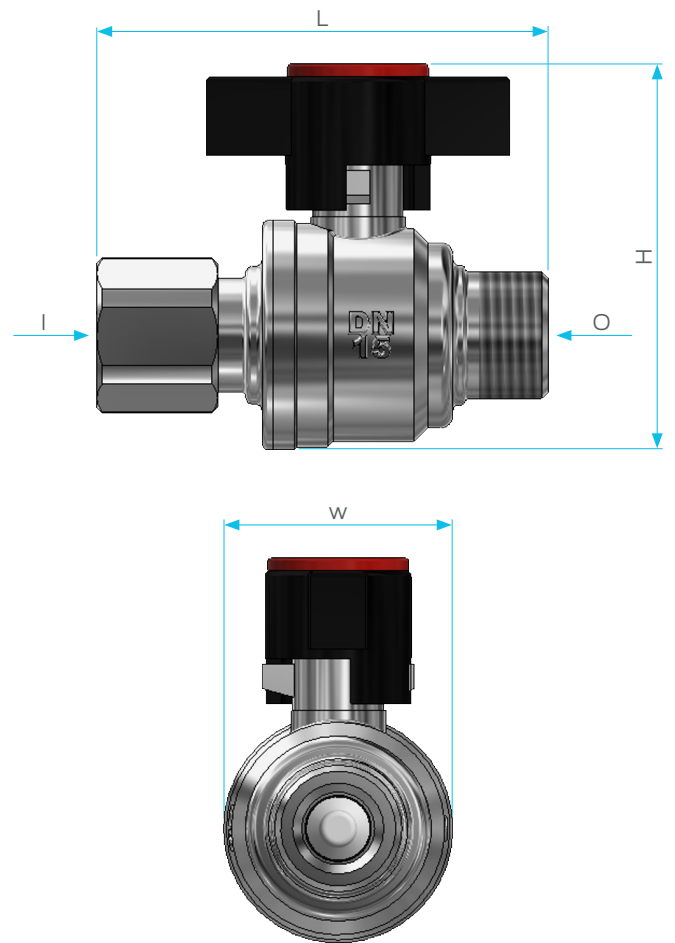


WMTS-479
WMKA26329

Dimensions

Size	L	H	w	I (inlet)	O (outlet)
15mm	74	63	38	G½	G½ B

Note: All measurements in mm unless otherwise stated.



Installation

Installation is subject to the requirements of the applicable regulatory authority, the National Construction Code Volume Three – Plumbing Code of Australia, associated reference standards as applicable at the time and AS/NZS 3500.1.