

Flomatic PN16 Type Y Strainer



Scope of Use/Specification Sheet

The Flomatic PN16 Type Y Strainer is designed to provide protection against loose particles (dirt and debris) to upstream pipes, valves, and fittings.



7208

Product Code

| Model | Catalogue Number |
|------------|------------------|
| PN16 65mm | 7206 |
| PN16 80mm | 7207 |
| PN16 100mm | 7208 |
| PN16 150mm | 7209 |
| PN16 200mm | 7211 |

Materials

| | |
|------------|--|
| Body | ASTM A-536 Ductile Iron 65-45-12, meets AS/NZS 2280:2004; Blue, LP4703-G |
| Cover | ASTM A-536 Ductile Iron 65-45-12, meets AS/NZS 2280:2004; Blue, LP4703-G |
| Filter | 304 Stainless Steel |
| Connection | 304 Stainless Steel |
| O-Ring | NBR, meets AS/NZS 4020:2005 |
| Plug | ASTM A126 Cast Iron |

Application

The Flomatic PN16 Type Y Strainer is used in light commercial and residential application.

Features and Benefits

- Low head loss
- 304 stainless steel mesh basket
- Table E flanged
- Access cover drain plug
- Installation possible in vertical or horizontal positions
- Compact structure

Technical Specifications

| | |
|----------------------|--|
| Nominal Diameter | DN65 to DN200 |
| Nominal Pressure | PN16 (1.6MPa) |
| Working Medium | Water and waste water |
| Temperature Range | 0°C to +80°C |
| Connection Dimension | AS 2129 Table E (Flange Standard), BS EN 558-1 (Structure Length Standard) |
| Test Standard | BS EN 1266-2003, GB/T13927-2008 |
| Certified | ISO 9001 |

Description

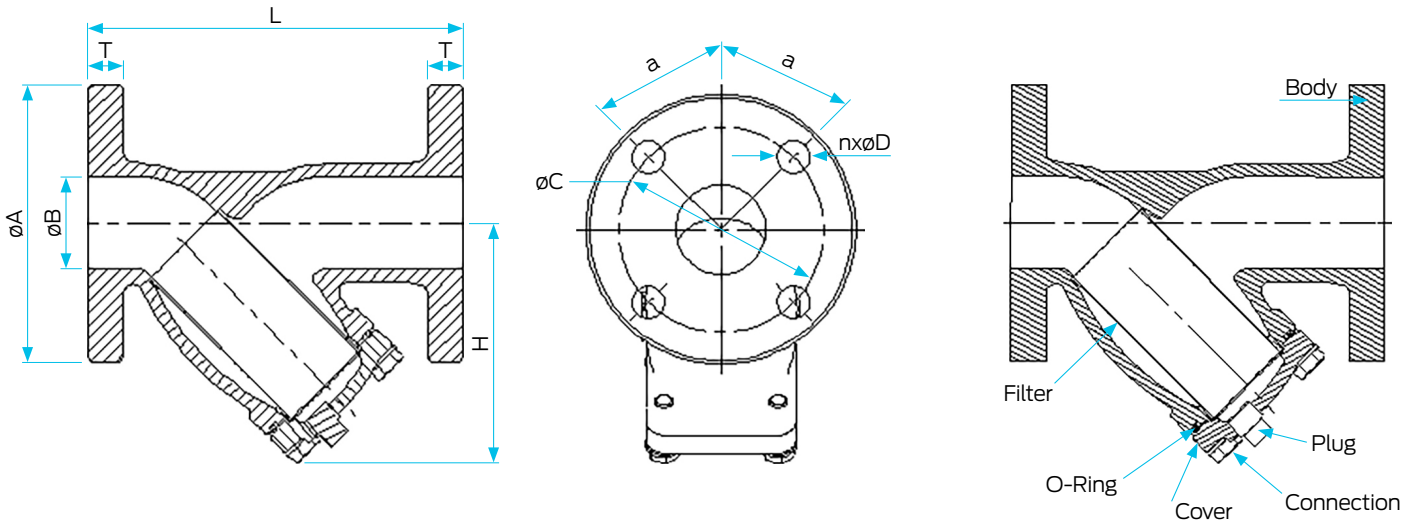
The Flomatic PN16 Type Y Strainer is Epoxy Coated. The bolted access cover allows for ease of servicing and maintenance of the 304 stainless steel mesh filter.

Flomatic PN16 Type Y Strainer

Dimensions

| Nominal | Contour Dimension | | | | Connection Dimension AS 2129:2000 | | | | Table E |
|---------|-------------------|-----|-----|-----|-----------------------------------|----|-------|-------|-----------|
| | L | H | øA | B | øC | T | nxøD | a | Mesh (mm) |
| 65 | 290 | 158 | 165 | 65 | 127 | 19 | 4xø18 | 45° | ø1.5 |
| 80 | 310 | 177 | 185 | 80 | 146 | 19 | 4xø18 | 45° | ø1.5 |
| 100 | 350 | 225 | 215 | 100 | 178 | 22 | 8xø18 | 22.5° | ø1.5 |
| 150 | 480 | 315 | 280 | 150 | 235 | 22 | 8xø22 | 22.5° | ø3.5 |
| 200 | 600 | 418 | 335 | 200 | 292 | 25 | 8xø22 | 22.5° | ø3.5 |

Note: All measurements in mm unless otherwise stated.



Installation

Installation is subject to the requirements of the applicable regulatory authority, the National Construction Code Volume Three – Plumbing Code of Australia, associated reference standards as applicable at the time and AS/NZS 3500.1.

Warranty

Reliance Worldwide Corporation (Aust.) Pty. Ltd. (RWC) will either replace or repair any defective goods where the defect arose as a result of manufacture within the warranty period. You may contact RWC at the phone number, address or e-mail shown below for further information or to make a claim.

Visit www.rmc.com.au/warranty to view the warranty statement in full and for further important information.