

Dual Check Valve

Scope of Use / Specification Sheet

The RMC Dual Check Valve is designed to prevent cross connection of non-potable water into safe drinking water systems.



7181/7182

Product Code

Model	Product Code
20mm F x F	7181
25mm F x F	7182
20mm M x F	7171
25mm M x F	7172

Materials

Body and covers	DR Brass
Springs	Stainless Steel

Description

The Dual Check Valve is compact, economical, and easy to install both horizontally and vertically. Each device comprises of two independently acting, internally loaded check valves in series. The valve is a low hazard, non-testable device.

Features and Benefits

- Protects against back pressure and back siphonage
- Suitable for low hazard applications
- Compact and lightweight
- Corrosion resistant
- Independently operating check valves
- Allowable operating pressure of 1600kPa
- Operating temperature range of 1°C to 60°C
- Suitable for vertical and horizontal installations
- Approved to AS/NZS 2845.1:2010

Application

The Dual Check Valve provides protection to the potable water supply from contamination in low hazard applications like meter connections on domestic properties.

Dual Check Valve

Performance Specifications

	7181	7182	7171	7172
Inlet	Rp 3/4" Female BSP	Rp 1" Female BSP	Rp 3/4" Female BSP	Rp 1" Female BSP
Outlet	Rp 3/4" Female BSP	Rp 1" Female BSP	R 3/4" Male BSP	R 1" Male BSP
Maximum Operating Temperature (MOP)	60°C	60°C	60°C	60°C
Allowable Operating Pressure (AOP)	1600kPa	1600kPa	1600kPa	1600kPa
Maximum Allowable Operating Pressure (MAOP)	1920kPa	1920kPa	1920kPa	1920kPa
Allowable Site Test Pressure (ASTP)	2000kPa	2000kPa	2000kPa	2000kPa

Dimensions

Product Code	Length (A)	Height (B)
7181	117	56
7182	119	56
7171	115	56
7172	117	56

Installation

Installation is subject to the requirements of the applicable regulatory authority, the National Construction Code Volume Three – Plumbing Code of Australia, associated reference standards as applicable at the time and AS/NZS 3500.1.

Warranty

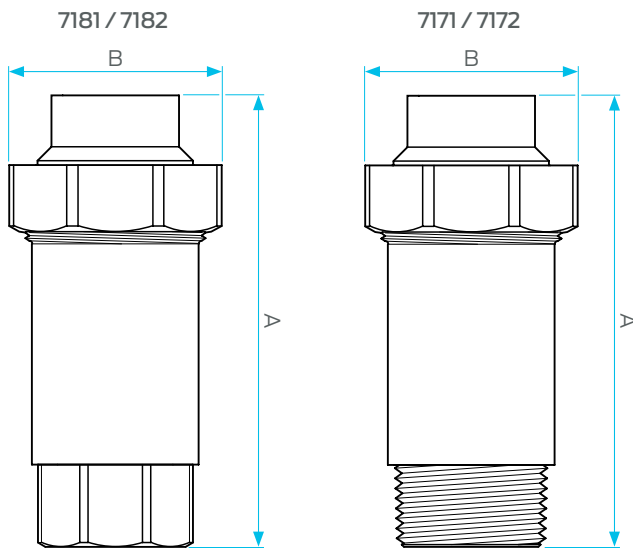
Reliance Worldwide Corporation (Aust.) Pty. Ltd. (RWC) will either replace or repair any defective goods where the defect arose as a result of manufacture within the warranty period. You may contact RWC at the phone number, address or e-mail shown below for further information or to make a claim.

Visit www.rmc.com.au/warranty to view the warranty statement in full and for further important information.

Standards and Approvals



AS/NZS 2845.1
WMKA1325



Note: All measurements in mm unless otherwise stated.