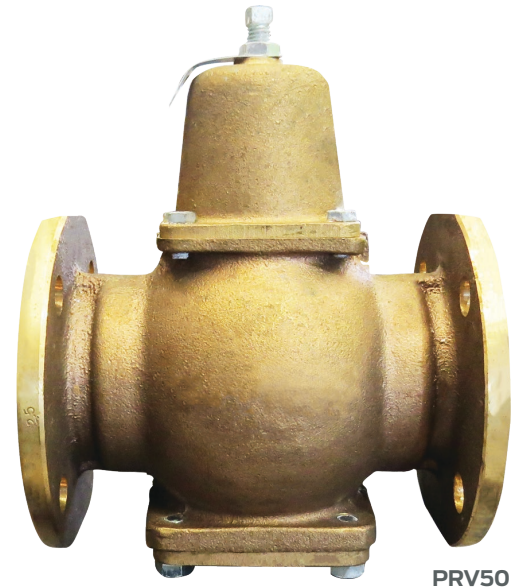


# Pressure Reducing Valve

## Scope of Use / Specification Sheet

The RMC Commercial PRV is a high flow pressure regulating valve for Commercial and Industrial Installations.



PRV50

### Product Code

| Model        | Catalogue Number |
|--------------|------------------|
| 50mm Flange  | PRV50            |
| 65mm Flange  | PRV65            |
| 80mm Flange  | PRV80            |
| 100mm Flange | PRV100           |

### Materials

|           |                     |
|-----------|---------------------|
| Body      | Cast Gunmetal       |
| Spring    | Spring Steel        |
| Piston    | Lead Free Bronze    |
| Body Seat | Lead Free Bronze    |
| Screw/Nut | 316 Stainless Steel |
| Piston    | DZR Brass           |
| O-Ring    | BUNA-N              |
| Seat Ring | 304 Stainless Steel |

### Description

The RMC Commercial PRV is supplied standard with flanged connections from 50mm to 100mm diameter. Reliance Commercial PRVs are adjustable from 350kPa – 750kPa, and are factory set at 500kPa.

### Features and Benefits

- Watermark approved product
- Balanced piston design
- Provides closer regulation and quiet performance
- Every valve is fully factory tested
- Specify and install with confidence
- Simple dependable construction
- Fewer parts for greater reliability
- Flanged connections
- Suitable for all standard installations

### Application

The high capacity RMC Commercial PRV is ideal for supply to large usage facilities such as factories and industrial establishments. The PRV must be installed in the horizontal position, with the spring chamber upright. For ease of operation and maintenance it is suggested that manual isolation valves be installed upstream and downstream of the valve.

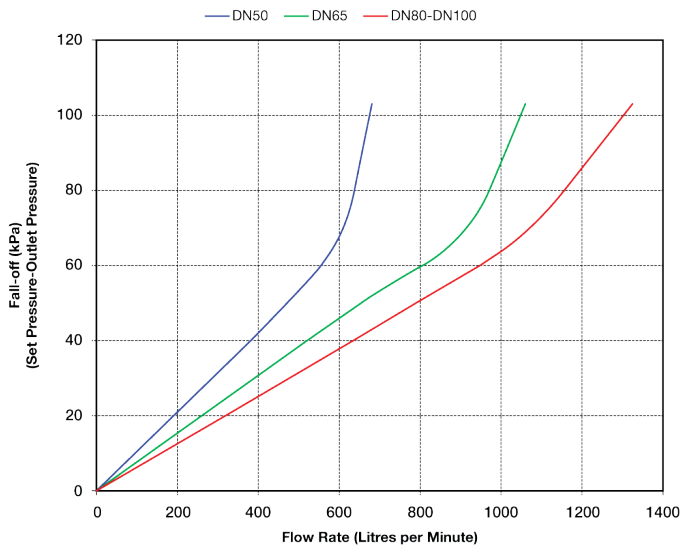
# Pressure Reducing Valve

## Technical Specifications

|                            |               |
|----------------------------|---------------|
| Outlet Pressure Range      | 350 to 750kPa |
| Factory Set Pressure       | 500kPa        |
| Maximum Temperature        | 60°C          |
| Maximum Operating Pressure | 1600kPa       |
| Maximum Inlet Pressure     | 2000kPa       |

## Flow Characteristics

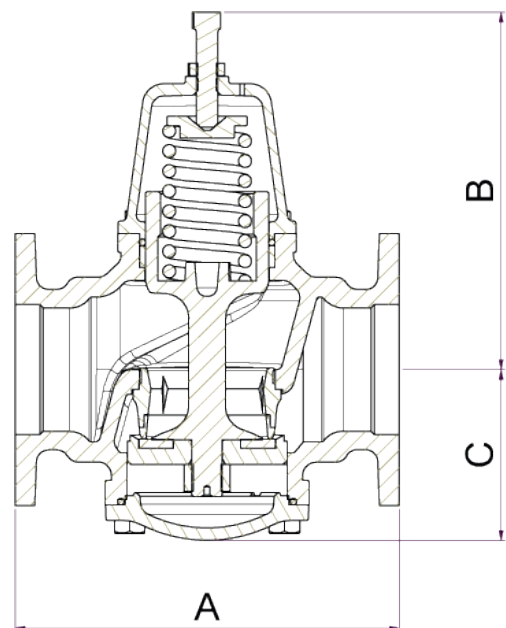
Flow vs Pressure Drop  
845kPa Inlet Pressure - Outlet Set Pressure 500kPa



## Dimensions

| Model  | DN            | A   | B   | C   |
|--------|---------------|-----|-----|-----|
| PRV50  | 50mm Table D  | 198 | 190 | 90  |
| PRV65  | 65mm Table D  | 201 | 190 | 90  |
| PRV80  | 80mm Table D  | 210 | 190 | 90  |
| PRV100 | 100mm Table D | 222 | 190 | 102 |

Note: All measurements in mm unless otherwise stated.



## Standards and Approvals



WMTS-052  
WMK26247

## Warranty

Reliance Worldwide Corporation (Aust.) Pty. Ltd. (RWC) will either replace or repair any defective goods where the defect arose as a result of manufacture within the warranty period. You may contact RWC at the phone number, address or e-mail shown below for further information or to make a claim.

Visit [www.rmc.com.au/warranty](http://www.rmc.com.au/warranty) to view the warranty statement in full and for further important information.