

# 50mm Roller-Protected Multijet Meter

## Scope of Use / Specification Sheet

RMC's 50mm Roller-Protected Multijet Meter is a commercial-quality device for use by Water authorities operating water supply networks on a user pays basis. The meter is of a robust design that ensures long term meter accuracy, and is pulse capable. Through its low friction mechanism and higher mechanical durability, the meter features include an extended service life.



WM514MRP

### Product Code

Size	Description	Product Code
50mm	Round Flange	WM514MRP

*Note: Reed Switch WM598 required for pulse output*

### Materials

Body/H Ring	Brass
Reading Face	Polycarbonate
Counter Mechanism	Polystyrol

### Installation

Installation is subject to the requirements of the applicable regulatory authority, the National Construction Code Volume Three – Plumbing Code of Australia, associated reference standards as applicable at the time and AS/NZS 3500.1.

### Warranty

Reliance Worldwide Corporation (Aust.) Pty. Ltd. (RWC) will either replace or repair any defective goods where the defect arose as a result of manufacture within the warranty period. You may contact RWC at the phone number, address or e-mail shown below for further information or to make a claim.

Visit [www.rmc.com.au/warranty](http://www.rmc.com.au/warranty) to view the warranty statement in full and for further important information.

### Features and Benefits

- Reading face, including rollers, encapsulated in protective silicon oil filled chamber
- Prevents fogging and discolouration from trapped particulate in the metered water supply
- Direct drive, low friction mechanism with higher mechanical durability and inherent resistance to choking as a result of large port clearances
- Long term meter accuracy and economical metering option
- Essential for maintaining charging equity
- Extended service life provides significant long term cost savings for Water Authorities
- No magnetic coupling protects device from magnetic interference
- Pulse capable
- Optional reed switch allows remote reading without breaking the meter seal
- Internal strainer protects from dirt and debris

### Application

The RMC Endurance Multijet Turbine Water Meter is a water meter suited to internal and external use. The product is certified for use in the horizontal plane only. The meter must be installed with the direction of the flow as indicated by the arrow cast in the meter body. For ease of servicing it is recommended an isolating valve be installed before the meter.

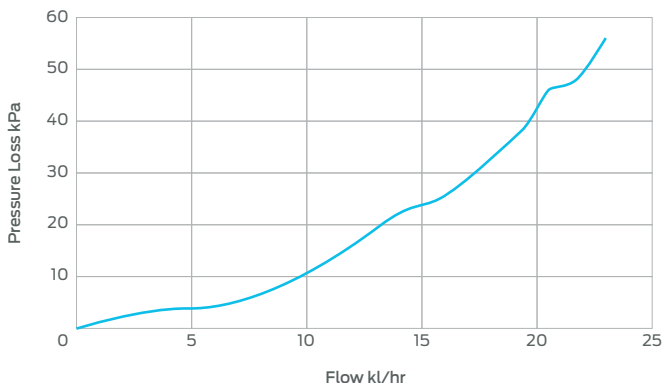
The meter has six hole flanges allowing it to be used in standard round and oval (AS 3665) flange installations.

DO NOT use cold water meter in hot water pipeline.

# 50mm Roller-Protected Multijet Meter

Technical Specifications	
Nominal Diameter	DN50
Weight	9.1kg (without connectors)
Meter Type	Multijet
Drive Type	Direct, not susceptible to magnetic interference
Register Type	Roller-protected Counter
	Maximum Reading 99,999 kL
	Minimum Reading 0.01 L
	Leak Detection Wheel
Indicator Type	Digital Indicators (Black) kL
	Pointer Wheels (Red) sub-multiples
Pulse Output Option	1 pulse per 100 L
End Connections	AS 3565 2010 Oval Flange AS 4087 Round Flange
Maximum Working Pressure	1400kPa
Integral Non-Return Valve	No
Maximum Working Temperature (AS 3565.1)	30°C
Maximum Operating Temperature (AS 3565.1)	50°C

## Typical Headloss Curve



## Standards and Approvals

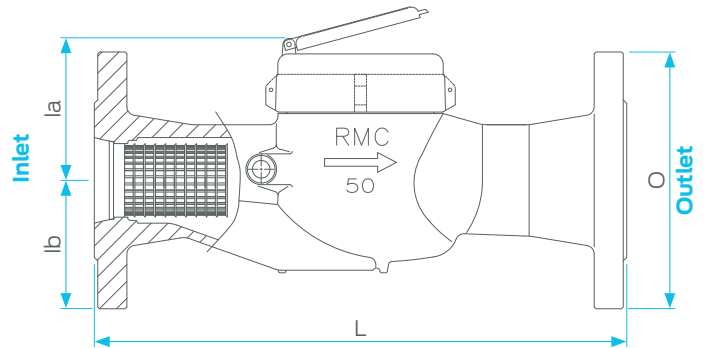
- Non-Trade use only
- No Watermark or NMI approvals

Performance Specifications	
Overload Flow Rate (Q4)	30 kL/h
Permanent Flow Rate (Q3)	25 kL/h
Transition Flow Rate (Q2)	250 L/h
Minimum Flow Rate (Q1)	156 L/h
Minimum Registration Flow Rate	10 L/h
Pressure Loss at Qn	25kPa
Strainer	Total area 9866mm <sup>2</sup>
	Hole size 2.4 x 1.8mm
Accuracy	Q1 to Q2 ± 5%
	Q2 to Q4 ± 2%

## Dimensions

Code	L	la	lb	O
WM154-MRP	300 ± 0.05	83	75	150

Note: All measurements in mm unless otherwise stated.



## Flange

