

Compact High Pressure Reducing Valve

Scope of Use / Specification Sheet

The RMC PressureGuard® Compact High Pressure Reducing Valve is used in water systems to limit the downstream pressure to the preset maximum. PressureGuard® HP has a higher adjustment range making it suitable for staged installations in high rise commercial applications.



PRV25HP

Product Code

Model	Product Code
15mm	PRV15HP
20mm	PRV20HP
25mm	PRV25HP

Materials

Body	Forged brass
Spring chamber	Epoxy coated zinc alloy
Adjusting screw	Brass
Pressure plate	Steel (zinc plated)
Diaphragm	EPDM
Seat Disc	EPDM
Piston	DZR brass
Strainer	Stainless steel
O-Ring	EPDM
Cartridge case	Udel

Installation

Installation is subject to the requirements of the applicable regulatory authority, the National Construction Code Volume Three – Plumbing Code of Australia, associated reference standards as applicable at the time and AS/NZS 3500.1.

Features and Benefits

- Adjustable outlet pressure set
- High flow capacity with minimal head loss
- Robust design and construction
- Protects downstream installations from excess supply pressure
- Reduces maintenance and repair costs on expensive equipment
- Compact cartridge based design
- Valve and strainer can be serviced without disassembly
- No special tools required for maintenance or adjustment
- Simple screw adjustment mechanism
- Can be installed in any orientation

Application

The RMC PressureGuard® Compact High Pressure Reducing Valve maintains a constant maximum outlet pressure to protect downstream installations from variations in supply pressure. The valve provides a variety of solutions to control high pressure in commercial installations.

Incorporating the latest technologies into the modular designed compact PRV, the valve is suited for installations in areas with limited access.



Compact High Pressure Reducing Valve

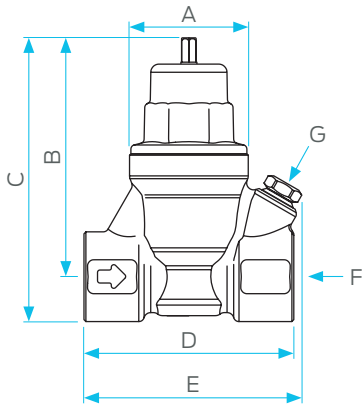
Technical Specifications

Recommended Operating Pressure Range	600 – 1600kPa
Multiple Installation Operating Pressure Range	600 – 1000kPa
Maximum Inlet Pressure	2000kPa
Maximum Supply Temperature	80°C
Adjustable Outlet Pressure Range	600 – 1000kPa
Factory Set Pressure	800kPa ± 10%
Fluid Media	Water

Dimensions

Model	A	B	C	D	E	F	G
PRV 15mm Female	43	91	104	76	80	RP½	G¼
PRV 20mm Female	43	88	104	76	79	RP¾	G¼
PRV 25mm Female	43	85	104	79	81	RP1	G¼

Note: All measurements in mm unless otherwise stated.



Warranty

Reliance Worldwide Corporation (Aust.) Pty. Ltd. (RWC) will either replace or repair any defective goods where the defect arose as a result of manufacture within the warranty period. You may contact RWC at the phone number, address or e-mail shown below for further information or to make a claim.

Visit www.rmc.com.au/warranty to view the warranty statement in full and for further important information.

Multi-Storey Buildings

Where multiple pressure reducing valves will be used as part of a hydraulic circuit, consideration should be given to the design of the hydraulic circuit to avoid the operating condition where combined high inlet pressure/low outlet flow-rate results in high water velocity within the pressure reducing valve. Where inlet pressures are likely to exceed 1000kPa, staged pressure reduction should be considered. PressureGuard® HP's higher pressure set allows for the operation of the valve to remain in a 2:1 step-down ratio when used in conjunction with the RMC standard compact PRV range. In a hydraulic circuit there are many factors that may affect the operating conditions.

Standards and Approvals



AS 1357.2
WMKA0938
SAI GLOBAL

Flow Rates

DN15	55L/min	600kPa
	60L/min	1000kPa
DN20	95L/min	600kPa
	95L/min	1000kPa
DN25	110L/min	600kPa
	110L/min	1000kPa

Flow vs Pressure Drop
Inlet Pressure 1400kPa – Outlet Set Pressure 800kPa

