

# Mini-Rester

## Hangsell 15mm – 20mm

### Scope of Use / Specification Sheet

The Sioux Chief Mini-Rester is 'AA' size, ideal for use with dishwashers, and available in a chrome finish.

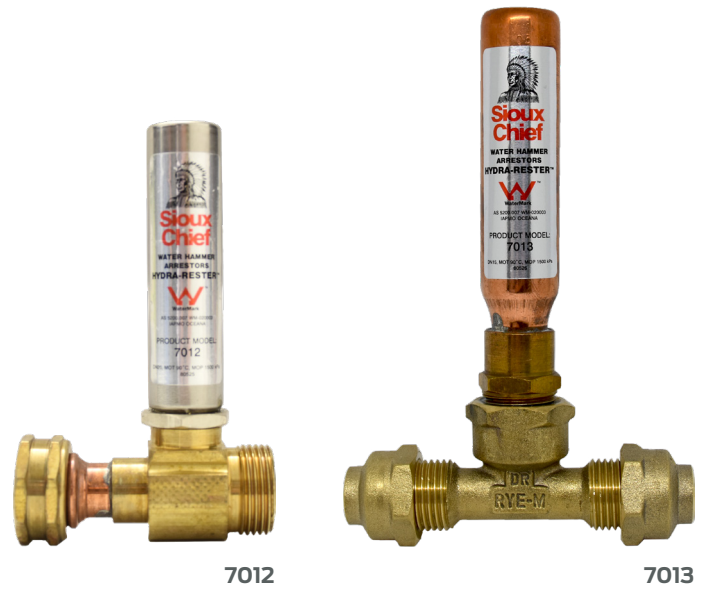
Product Code		
Model	Size	Product Code
15mm Conetite Tee	AA	7013
20mm Dishwasher – Chrome	AA	7012

#### Application

The Mini-Rester is ideal for installation on washing machine and dishwasher supply lines, single lever taps and all fast action tapware.

#### Materials

Body	Type L Copper
Piston	HHPP
O-Rings	EPDM
End Fittings	DR Brass
Thread	BSP



#### Features and Benefits

- Simple to install
- Maintenance free
- Cost effective
- Seamless shock absorbing chamber
- Suits hot and cold water
- Protects against fixture damage and flooding

#### Description

When a shuttering fixture closes, a pressure wave begins to move back along the pipe. As it reaches the arrestor the force acts against the arrestor piston, which, in turn, pushes against a charge of air. The air is then compressed, dissipating the wave energy and nullifying the hammering effects. Water Hammer Arrestors do not compensate for loosely fitted pipe work.

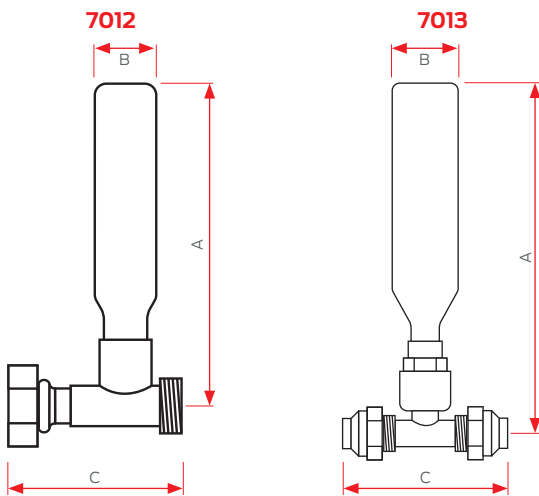
The Mini-Rester is formed from Type L copper tube and is cold rolled and spun closed seamless. The piston carries two EPDM seals and is lubricated with approved 111 Silicone Compound. System surge pressure can be kept below 1000kPa while the arrestor can operate at a safe working pressure to 2300kPa. The device is easily installed via the various BSP threaded fittings and can be mounted in any position 90° to the water flow.

## Mini-Rester Hangsell 15mm – 20mm

### Dimensions

Product Code	Length (A)	Diameter (B)	Tee (C)	Thread Size	Weight
7012	109	22.5	70	15	200g
7013	138.5	22.5	98	15	360g

Note: All measurements in mm unless otherwise stated.



### Scope of Use

Materials in contact with water	Copper, EPDM, PP, DR Brass
Maximum operating temperature	90°C
Maximum allowable operating pressure	1500kPa

### Installation

Installation is subject to the requirements of the applicable regulatory authority, the National Construction Code Volume Three – Plumbing Code of Australia, associated reference standards as applicable at the time and AS/NZS 3500.1.

### Standards and Approvals

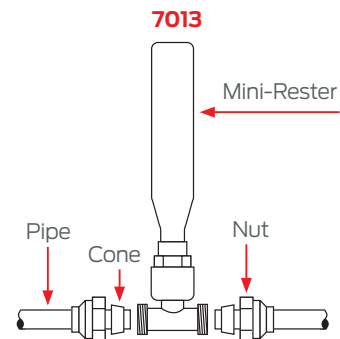
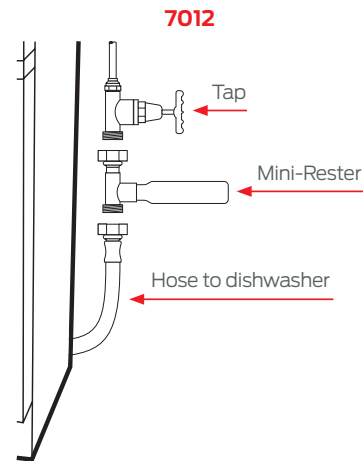


AS 5200.007  
WM-020003

### Connection

The Mini-Rester can be easily installed at 90° to the water supply with the choice of fittings eliminating the need for special tools.

All plumbing systems must be structured in accordance with AS/NZS 3500.1 and utilise the correct clipping and supports.



### Warranty

Reliance Worldwide Corporation (Aust.) Pty. Ltd. (RWC) will either replace or repair any defective goods where the defect arose as a result of manufacture within the warranty period. You may contact RWC at the phone number, address or e-mail shown below for further information or to make a claim.

Visit [www.rmc.com.au/warranty](http://www.rmc.com.au/warranty) to view the warranty statement in full and for further important information.