

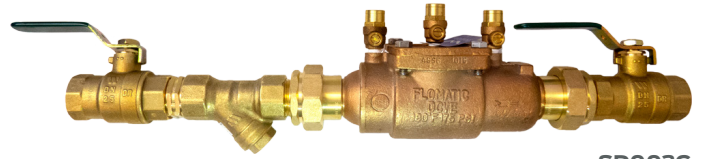
Double Check Valves

Scope of Use / Specification Sheet

The RMC/Flomatic Double Check Valve is designed to give protection against medium hazard backflow situations.

The device features two mechanically independent, spring loaded, centre stem, guided check valves. The device has a cast and bronze body, with a single access cover. The assembly has three vertical test cocks and two shut off valves which are quarter-turn, full port and resilient seated.

The seat of each check valve is constructed from Noryl™ and is replaceable. The check valves are held in place by stainless steel clips and the check valve assemblies are non-interchangeable with silicone discs.



SD003C



SD007C

Features and Benefits

- Corrosion resistant
- Designed for easy and quick in line maintenance and testing
- Low head loss
- Interchangeable poppet and spring
- Maximum working pressure of 1200kPa
- Operating temperature range of 1°C to 82°C up to 50mm BSP Threaded
- Operating temperature range of 1°C to 60°C from 65mm to 200mm Flanged Table E
- Approved to AS 2845-1

Materials

	20mm - 50mm	65mm - 200mm
Valve Body	Bronze	Ductile Iron
Access Cover	Bronze	Ductile Iron
Polymers	Noryl™, NSF Listed	Noryl™, NSF Listed
Elastomers	Silicone	Silicone, Buna-n (FDA approved)
Springs	Stainless Steel	Stainless Steel
Coating	-	FDA approved fusion epoxy

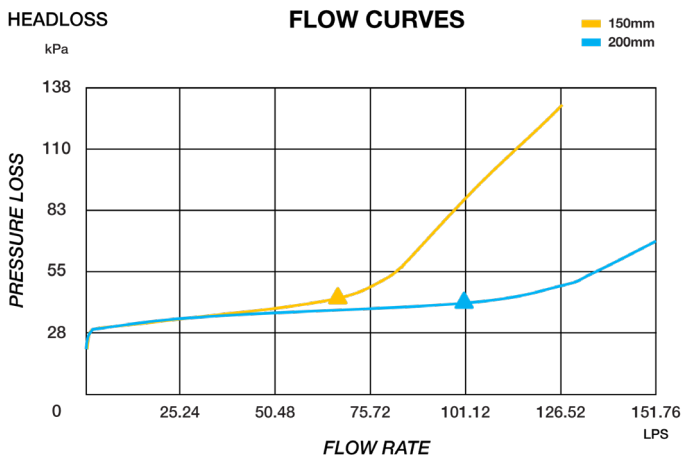
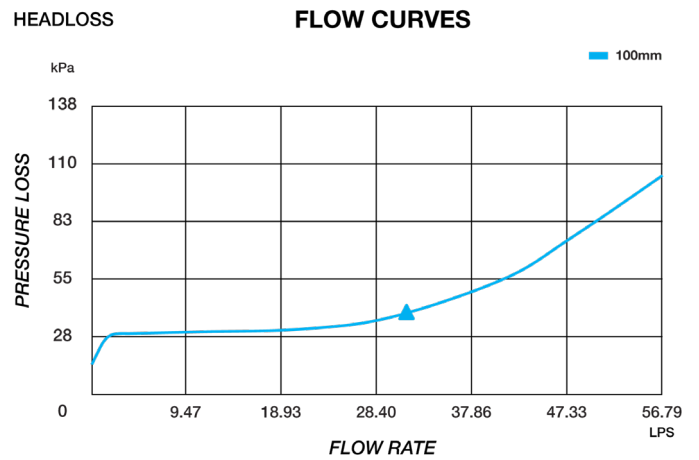
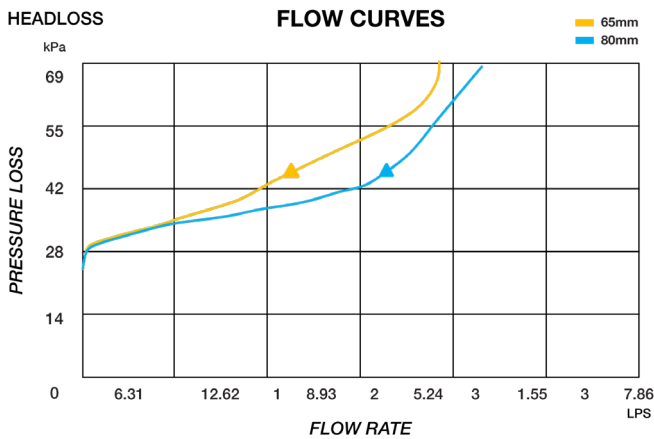
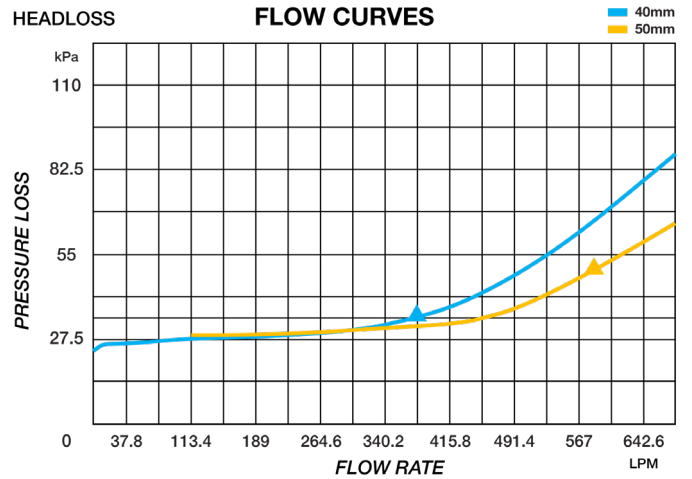
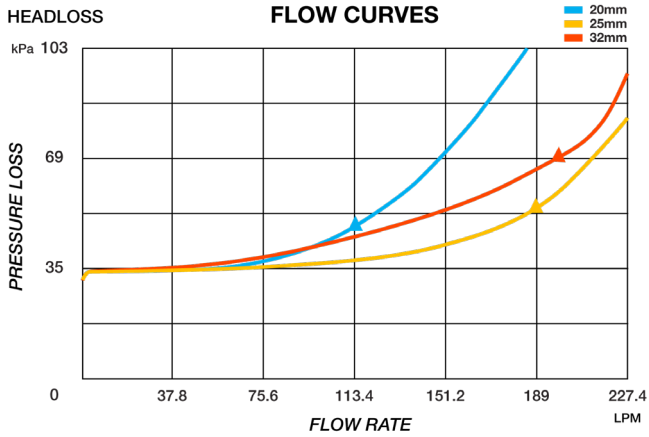
Product Code

Size	Device Only	Complete	Complete with Lockable Ball Valve
20mm	SD002	SD002C	SD002C-L
25mm	SD003	SD003C	SD003C-L
32mm	SD004	SD004C	SD004C-L
40mm	SD005	SD005C	SD005C-L
50mm	SD006	SD006C	SD006C-L
65mm	SD007	SD007C	-
80mm	SD008	SD008C	-
100mm	SD009	SD009C	-
150mm	SD010	SD010C	-
200mm	SD011	SD011C	-



Double Check Valves

Flow Characteristics



Double Check Valves

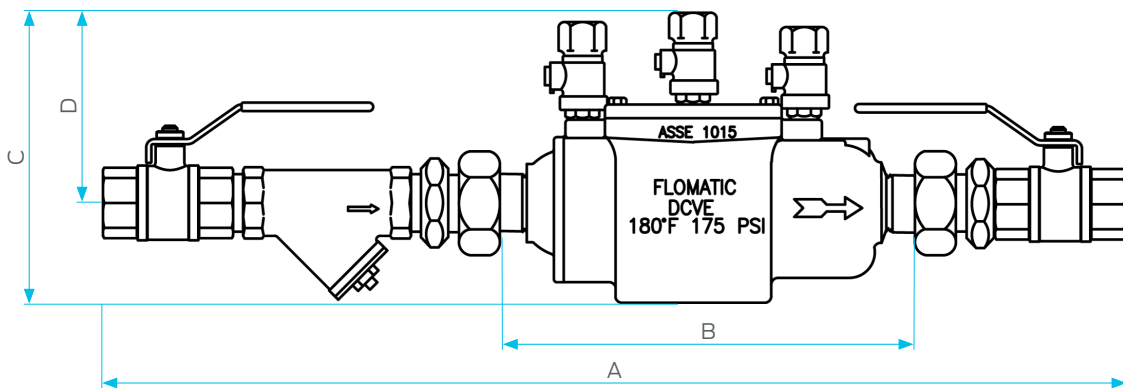
Performance Specifications

	20mm - 50mm	65mm - 200mm
Maximum working pressure	1200kPa	1200kPa
Maximum working temperature	82°C	60°C
Hydrostatic test pressure	2400kPa	2400kPa
Pipe connection	BSP Thread	Table E AS2129 Flanged

20-50mm Dimensions

Size	Part #	A	B	C	D	Width	Weight with BV	Weight less BV
20	SD002C	490	205	120	85	85	3.9	2.5
25	SD003C	540	205	120	85	85	4.8	2.6
32	SD004C	625	230	125	85	85	6.6	3.2
40	SD005C	730	315	170	115	120	12.9	8.3
50	SD006C	810	315	200	120	130	14.6	8.3

Note: All measurements in mm and kg unless otherwise stated.
Lockable assembly has same dimensions

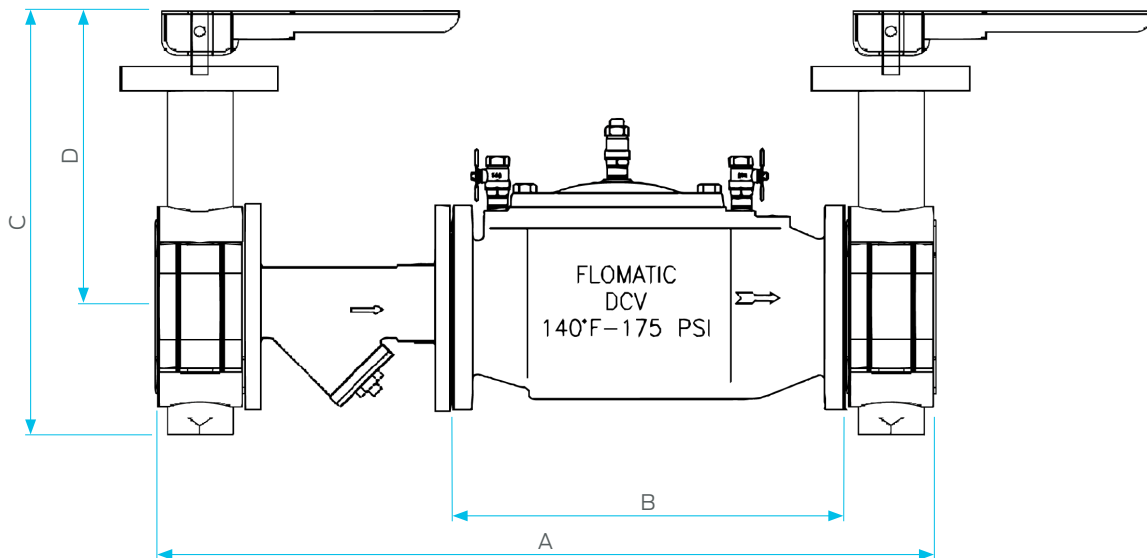


Double Check Valves

65-200mm Dimensions

Size	Part #	A	B	C	D	Width	Weight with BV	Weight less BV
65	SD007C	830	450	251	184	200	47.3	22.75
80	SD008C	850	450	263	191	200	51	22.75
100	SD009C	990	535	305	210	250	131.75	45.5
150	SD010C	1235	645	360	235	310	138.5	66.75
200	SD011C	1363	699	423	273	350	269	129.5

Note: All measurements in mm and kg unless otherwise stated.



Standards and Approvals



AS/NZS
2845.1:2010
LIC WMKA 22155
SAI GLOBAL

Installation

Installation is subject to the requirements of the applicable regulatory authority, the National Construction Code Volume Three – Plumbing Code of Australia, associated reference standards as applicable at the time and AS/NZS 3500.1.

Warranty

Reliance Worldwide Corporation (Aust.) Pty. Ltd. (RWC) will either replace or repair any defective goods where the defect arose as a result of manufacture within the warranty period. You may contact RWC at the phone number, address or e-mail shown below for further information or to make a claim.

Visit www.rmc.com.au/warranty to view the warranty statement in full and for further important information.



www.rmc.com.au | 1800 810 803 | sales@rmc.com.au

Reliance Worldwide Corporation (Aust.) Pty. Ltd. reserves the right to change any product specification or information contained in this publication at any time and without notice. All diagrams are illustrative only. Please consult OEM instructions and AS/NZS 3500 for all installations. ABN 71 004 784 301 | © September 2020