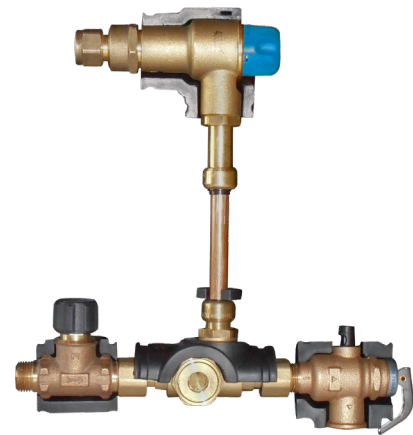


# Slick Combo Set

## Scope of Use / Specification Sheet

RMC's Slick Combo is a purpose built control valve set, designed to simplify the installation of storage water heaters.



MIX12013I

### Product Code

Model	Product Code
Insulated Slick Combo Set	MIX12013I

### Materials

Bodies	Forged Brass or Cast Gunmetal
Internal Components	DZR Brass
Internal Seals	Viton® or Nitrile
Springs	Stainless Steel
Tempering Valve Piston	Polysulfone
Fittings	DZR Brass
Circlips	Stainless Steel
Face Seals	EPDM

### Warranty

Reliance Worldwide Corporation (Aust.) Pty. Ltd. (RWC) will either replace or repair any defective goods where the defect arose as a result of manufacture within the warranty period. You may contact RWC at the phone number, address or e-mail shown below for further information or to make a claim.

Visit [www.rmc.com.au/warranty](http://www.rmc.com.au/warranty) to view the warranty statement in full and for further important information.

### Installation

Installation is subject to the requirements of the applicable regulatory authority, the National Construction Code Volume Three – Plumbing Code of Australia, associated reference standards as applicable at the time and AS/NZS 3500.1.



### Features and Benefits

- All inlet controls in one box
- Fitted insulation
- Quick, easy and neat mounting for Plumbing Code conformance
- SharkBite® push-to-connect
- Easy alignment and connection of tempering valve cold water supply
- Tempering valve individually tested and calibrated to ensure higher quality and performance
- Integrated strainer protects the system for longer service life
- Dezincification resistant
- Meets Australian Standard for potable water supply
- Suitable for use with either 15mm or 20mm connecting pipework

### Standards and Approvals

  
AS 3688  
LIC WMKA0158  
SAI GLOBAL

  
AS 3688  
LIC WM000979  
IAPMO R&T OCEANA

  
AS 4032.2  
LIC WMKA1593  
SAI GLOBAL

  
AS 1357.1/2  
LIC WMKA21984  
SAI GLOBAL

  
AS 1357.2  
LIC WMKA21984  
SAI GLOBAL

# Slick Combo Set

## Description

The Slick Combo includes a tempering valve, non-return valve, isolating valve and strainer, plus SharkBite® push-to-connect for the tempering valve cold water supply connection.

The Slick Combo inlet control valves prevent backflow of water from the water heater to the mains line. This protects the mains supply from contamination and the loss of water that has already been heated. The strainer protects the system from any debris and impurities that may be in the water supply. The tempering valve component mixes hot water with cold water to deliver tempered water at a constant temperature throughout the system.

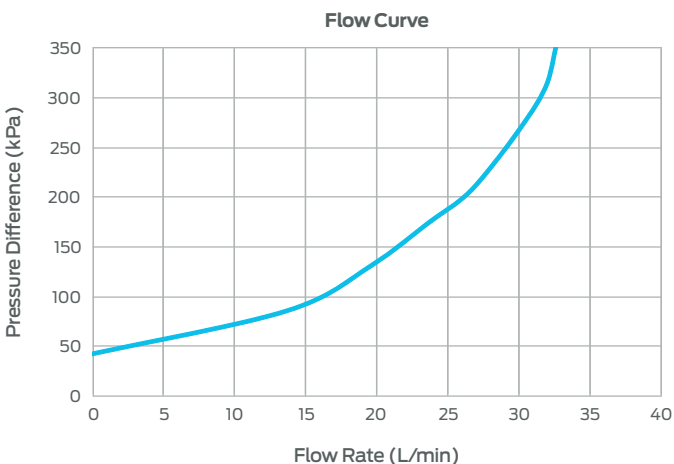
The Slick Combo is supplied with insulation jackets fitted for each valve.

**Note:** Expansion control valve not included.

## Technical Specifications

Hot temperature supply range	60°C to 90°C
Cold temperature supply range	5°C to 30°C
Maximum supply pressure	1600kPa
Permitted supply pressure variation	2:1 (maximum)
Operating temperature range	40°C to 50°C
Factory set temperature range	Must be commissioned on site to achieve desired outlet temperature
Minimum temperature differential (between hot supply and outlet temperature)	15°C
Minimum flow rate	4 L/min
Maximum flow rate	50 L/min

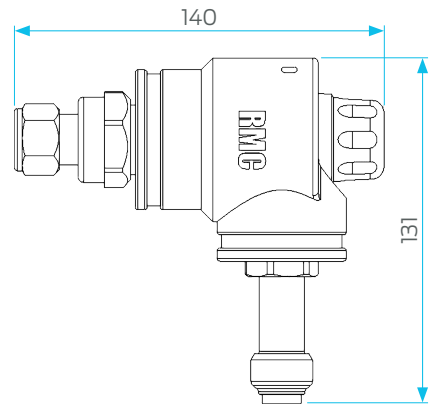
## Flow Characteristics



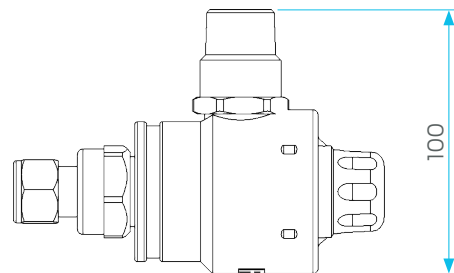
## Dimensions

**Note:** All measurements in mm unless otherwise stated.

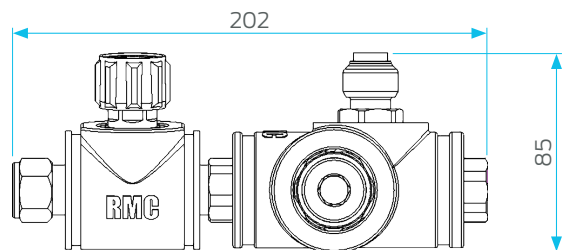
Mixing Valve



Mixing Valve – Reverse



Non-Return Isolating Valve and Manifold



Non-Return Isolating Valve and Manifold – Top

