

HeatGuard® SharkBite®

Scope of Use / Specification Sheet

The RMC HeatGuard® is a tempering valve that mixes hot water with cold water to deliver tempered water at a constant temperature throughout an entire house, building or system.

Product Code

Model	Product Code
HeatGuard® 16mm PEX	MIXSB16
HeatGuard® Insulated 20mm PEX	MIXF11012I
HeatGuard® Insulated DN15 Copper	MIXRA11009I

Materials

Body	Forged Brass
Internal Components	DZR Brass
Seals	Viton®
Springs	Stainless Steel
Piston	Polysulphone
Fittings	DZR Brass
Strainers	Stainless Steel
Non-Return Cartridges	Acetal

Description

HeatGuard® is suitable for tempering the hot water supply to sanitary devices intended for personal hygiene purposes, where outlet temperature must not exceed a maximum of 50°C. Available in 15mm and 20mm configurations, the valve is compatible with most storage water heaters and the compact design requires minimum space.



Features and Benefits

- SharkBite® inlet connection fittings (MIXSB16 also features SharkBite® outlet connection fittings)
- Ease of installation
- Polyurethane insulation (MIXF11012I and MIXRA11009I)
- Limit energy loss and help protect against freezing – meets Australian Standard
- Strainers and check valves
- Strainers protect valve from impurities in the water supply; check valves eliminate backflow contamination
- Tamper-proof adjustment
- Dezincification resistant
- Meets Australian Standard for potable water supply
- Individually tested and calibrated – every valve is tested to ensure higher quality performance

Application

RMC's HeatGuard® is a tempering valve for use in hot water distribution systems. Fitting the valve at the hot water source ensures the delivery of constant temperature hot water throughout the system.

Do NOT use on steam supplied systems.

Standards and Approvals



AS 4032.2
WMKA1593



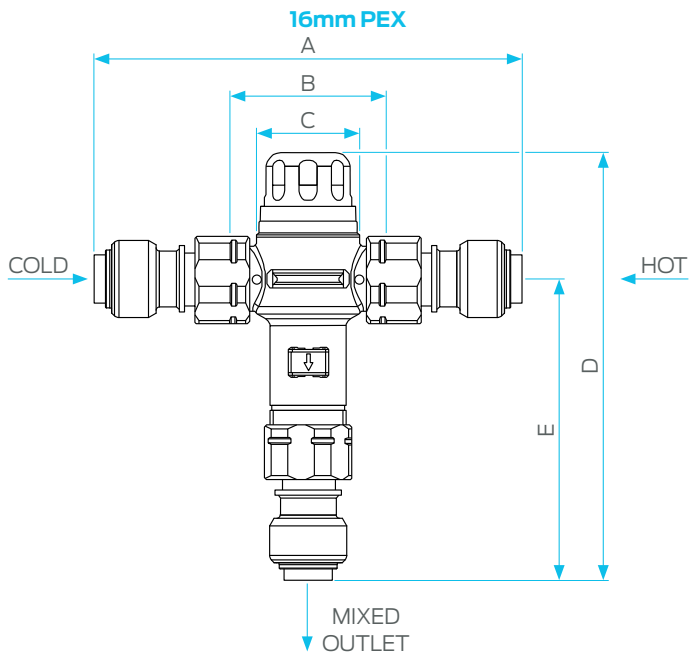
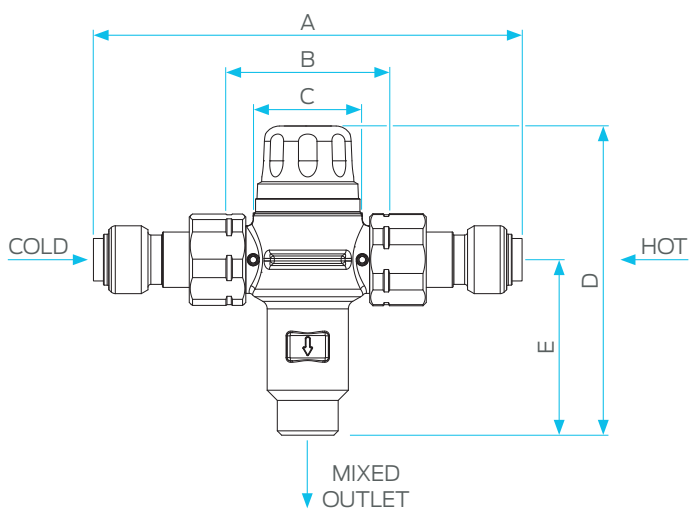
HeatGuard® SharkBite®

Technical Specifications	
Cold water supply temperature	5°C to 30°C
Hot water supply temperature	60°C to 90°C ¹
Optimum outlet temperature range	40°C to 50°C ²
Set temperature	Must be commissioned on site to achieve desired outlet
Accuracy of outlet temperature	± 3°C – tested to AS 4032.2 between 40°C and 50°C
Minimum temperature differential (between hot supply and outlet temperature)	15°C ³
Supply pressure (static)	1600kPa maximum
Supply pressure imbalance, dynamic (at time of commissioning)	2:1 maximum ⁴
Maximum permitted pressure variation in either supply, in order to control outlet temperature to ± 3°C (from supply pressure at commissioning)	± 10% maximum ⁵
Minimum flow rate	4 L/min
SharkBite® fittings supplied	Inlet connections (strainers and non-return checks included)

- Notes**
- AS 3500.4 Clause 1.6 requires the minimum hot water storage temperature to be 60°C.
 - For applications outside the requirements of AS/NZS 3500 and AS 4032.2, it may be possible to set the valve as high as 55°C or as low as 35°C, depending on site conditions.
 - This is the minimum difference required to ensure shut-off of outlet flow in the event of cold supply failure in accordance with AS 4032.2, providing the valve is set between 40°C and 50°C.
 - The maximum permitted ratio of supply pressures, under dynamic (flow) conditions. For optimum performance it is recommended that the hot and cold pressures at commissioning are as close as possible to equal.
 - The maximum permitted variation in either supply pressure from the pressure at commissioning in order to control the outlet temperature to ± 3°C.

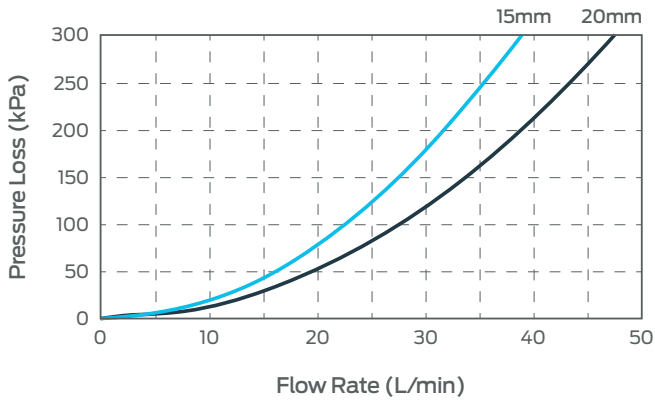
Dimensions					
Size	A	B	C	D	E
16mm PEX	138	37	60	146	½C
20mm PEX (Ins)	158	38	60	107	¾C
DN15 Copper (Ins)	148	37	60	107	½C

Note: All measurements in mm unless otherwise stated.



HeatGuard® SharkBite®

Flow Characteristics



Installation

Installation is subject to the requirements of the applicable regulatory authority, the National Construction Code Volume Three – Plumbing Code of Australia, associated reference standards as applicable at the time and AS/NZS 3500.1.

Warranty

Reliance Worldwide Corporation (Aust.) Pty. Ltd. (RWC) will either replace or repair any defective goods where the defect arose as a result of manufacture within the warranty period. You may contact RWC at the phone number, address or e-mail shown below for further information or to make a claim.

Visit www.rmc.com.au/warranty to view the warranty statement in full and for further important information.