

# Flomatic PN16 Type Y Strainer



## Scope of Use/Specification Sheet

The Flomatic PN16 Type Y Strainer is designed to provide protection against loose particles (dirt and debris) to upstream pipes, valves, and fittings.



7208

### Product Code

Model	Catalogue Number
PN16 65mm	7206
PN16 80mm	7207
PN16 100mm	7208
PN16 150mm	7209
PN16 200mm	7211

### Materials

Body	ASTM A-536 Ductile Iron 65-45-12, meets AS/NZS 2280:2004; Blue, LP4703-G
Cover	ASTM A-536 Ductile Iron 65-45-12, meets AS/NZS 2280:2004; Blue, LP4703-G
Filter	304 Stainless Steel
Connection	304 Stainless Steel
O-Ring	NBR, meets AS/NZS 4020:2005
Plug	ASTM A126 Cast Iron

### Application

The Flomatic PN16 Type Y Strainer is used in light commercial and residential application.

### Features and Benefits

- Low head loss
- 304 stainless steel mesh basket
- Table E flanged
- Access cover drain plug
- Installation possible in vertical or horizontal positions
- Compact structure

### Technical Specifications

Nominal Diameter	DN65 to DN200
Nominal Pressure	PN16 (1.6MPa)
Working Medium	Water and waste water
Temperature Range	0°C to +80°C
Connection Dimension	AS 2129 Table E (Flange Standard), BS EN 558-1 (Structure Length Standard)
Test Standard	BS EN 1266-2003, GB/T13927-2008
Certified	ISO 9001

### Description

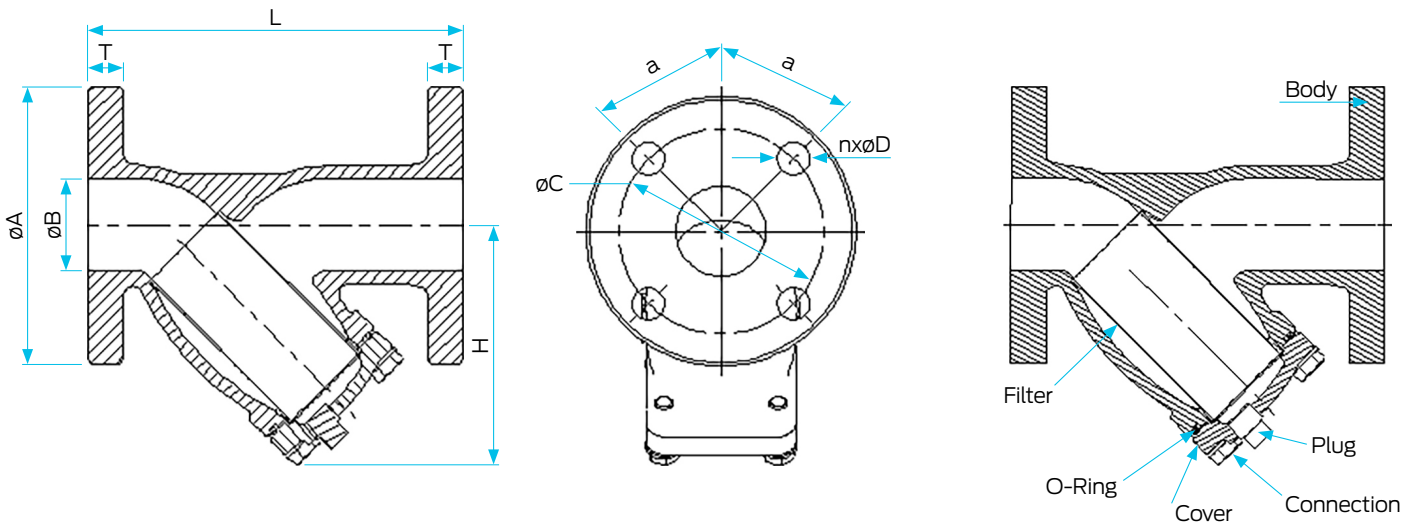
The Flomatic PN16 Type Y Strainer is Epoxy Coated. The bolted access cover allows for ease of servicing and maintenance of the 304 stainless steel mesh filter.

# Flomatic PN16 Type Y Strainer

## Dimensions

Nominal	Contour Dimension				Connection Dimension AS 2129:2000				Table E
	L	H	øA	B	øC	T	nxøD	a	Mesh (mm)
65	290	158	165	65	127	19	4xø18	45°	ø1.5
80	310	177	185	80	146	19	4xø18	45°	ø1.5
100	350	225	215	100	178	22	8xø18	22.5°	ø1.5
150	480	315	280	150	235	22	8xø22	22.5°	ø3.5
200	600	418	335	200	292	25	8xø22	22.5°	ø3.5

Note: All measurements in mm unless otherwise stated.



## Installation

Installation is subject to the requirements of the applicable regulatory authority, the National Construction Code Volume Three – Plumbing Code of Australia, associated reference standards as applicable at the time and AS/NZS 3500.1.

## Warranty

Reliance Worldwide Corporation (Aust.) Pty. Ltd. (RWC) will either replace or repair any defective goods where the defect arose as a result of manufacture within the warranty period. You may contact RWC at the phone number, address or e-mail shown below for further information or to make a claim.

Visit [www.rmc.com.au/warranty](http://www.rmc.com.au/warranty) to view the warranty statement in full and for further important information.