

Water Ball Valves

Scope of Use / Specification Sheet

RMC Water Ball Valves are a proven industry leading design and available in a range of sizes, in both right angle and straight configurations. RMC can also supply a range of fittings (compression, capillary and more) to suit most connection needs.



BVWS20FF-L

Product Code

Model	Size	Catalogue Number
Water Service Ball Valve – Right Angle and Lockable	20mm	BVWSR20FF-L
Water Service Ball Valve – Right Angle and Lockable	20mm	BVWSR20MF-L
Water Service Ball Valve – Long Handle and Lockable	20mm	BVWS20FF-L
Water Service Ball Valve – Long Handle and Lockable	20mm	BVWS20MF-L
	25mm	BVWS25MF-L

Features and Benefits

- Forged DZR Brass Body
- Bottom loading, dual O-Ring sealed stem
- Resilient seats
- Right Angle (F-F) and Straight Through (M-F, F-F) versions
- Lockable in either open or closed position
- Long life performance through its high quality components
- Quality guaranteed Water Marked product

Installation

Installation is subject to the requirements of the applicable regulatory authority, the National Construction Code Volume Three – Plumbing Code of Australia, associated reference standards as applicable at the time and AS/NZS 3500.1.

Warranty

Reliance Worldwide Corporation (Aust.) Pty. Ltd. (RWC) will either replace or repair any defective goods where the defect arose as a result of manufacture within the warranty period. You may contact RWC at the phone number, address or e-mail shown below for further information or to make a claim.

Visit www.rmc.com.au/warranty to view the warranty statement in full and for further important information.

Installation Conditions

Working Temperature Range	0°C to 60°C
Maximum Working Pressure	2500kPa
Medium	Water
Handle Colour	Blue

Standards and Approvals



AS 2345
AS 5830.1



Water Ball Valves

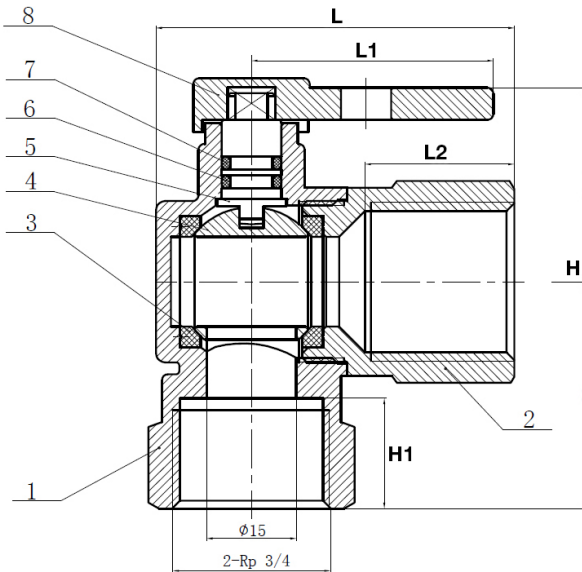
Dimensions

Model	Size (Rp)	L	L1	L2	H	H1	ØD
BVWSR20FF-L	3/4"	60	40.5	25	70.5	18.5	15

Note: All measurements in mm unless otherwise stated.

Materials

1	Body	C35200
2	Bonnet	C35200
3	Seat	PTFE
4	Ball	C35200
5	Stem	CW602N
6	O Ring	NBR
7	O Ring	HNBR
8	Lever	CW614N



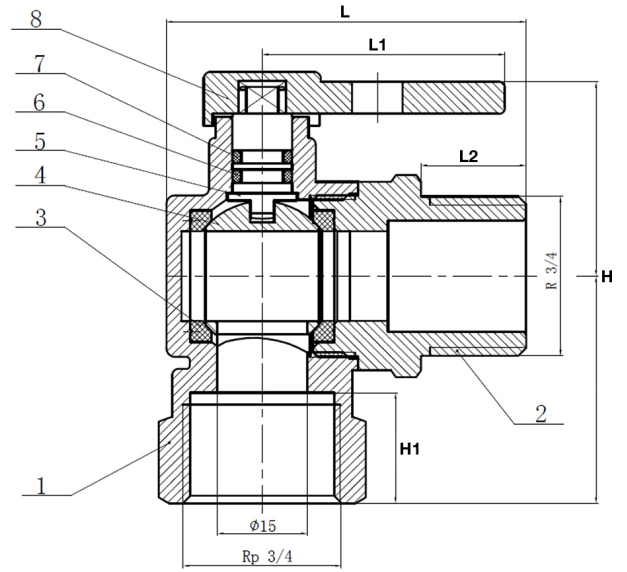
Dimensions

Model	Size (Rp)	L	L1	L2	H	H1	ØD
BVWSR20MF-L	3/4"	60	40.5	17.5	70.5	18.5	15

Note: All measurements in mm unless otherwise stated.

Materials

1	Body	C35200
2	Bonnet	C35200
3	Seat	PTFE
4	Ball	C35200
5	Stem	CW602N
6	O Ring	NBR
7	O Ring	HNBR
8	Lever	CW614N



Water Ball Valves

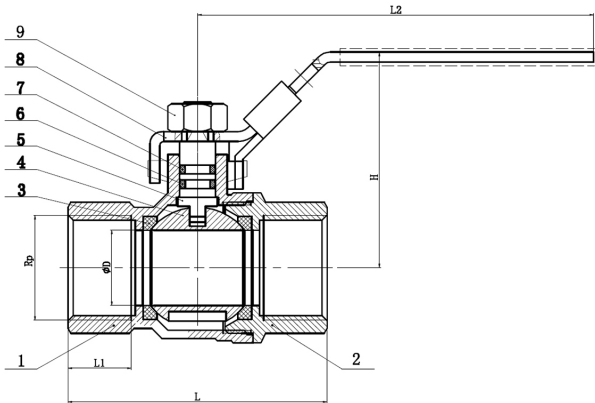
Dimensions

Model	Size (Rp)	L	L1	L2	H	ØD
BVWS20FF-L	3/4"	67.4	17	100	53	19

Note: All measurements in mm unless otherwise stated.

Materials

1	Body	C35200
2	Bonnet	C35200
3	Seat	PTFE
4	Ball	C35200
5	Stem	CW602N
6	O Ring	NBR
7	O Ring	HNBR
8	Lever	SS304
9	Lever Nut	SS304



Dimensions

Model	Size (Rp)	L	L1	L2	L3	ØD	H
BVWS20MF-L	3/4"	73.4	17	100	17	19	53
BVWS25MF-L	1"	84.6	20	125	19	24	64.3

Note: All measurements in mm unless otherwise stated.

Materials

1	Body	C35200
2	Bonnet	C35200
3	Seat	PTFE
4	Ball	C35200
5	Stem	CW602N
6	O Ring	NBR
7	O Ring	HNBR
8	Lever	SS304
9	Lever Nut	SS304

