

Gladiator Water Meter

Scope of Use / Specification Sheet

The Gladiator is a polymer positive displacement water meter for domestic applications.



WM212PD

Product Code

Size	Thread	Product Code
15mm	BSP Thread	WM151PD
20mm	NSW Thread	WM211PD
20mm	Meter Thread	WM212PD
20mm	BSP Thread	WM213PD

Note: 20mm Integrated LoRaWAN version available

Technical Specifications

Maximum Working Pressure	1600 kPa
Maximum Working Temperature	50 °C
Body	Highly Reinforced Composite material
Coupling Threads	BSP, METER, NSW
Register	IP68

Features and Benefits

- Reinforced polymer body
- Specially designed for high accuracy and wide measuring range
- Lightweight design
- Sealed super-dry register
- Stainless steel, hardened glass and hermetically sealed counter
- Dual check valves
- Brass connectors
- Continuity Strip

Orientation

The Gladiator Water Meter can be installed in any position

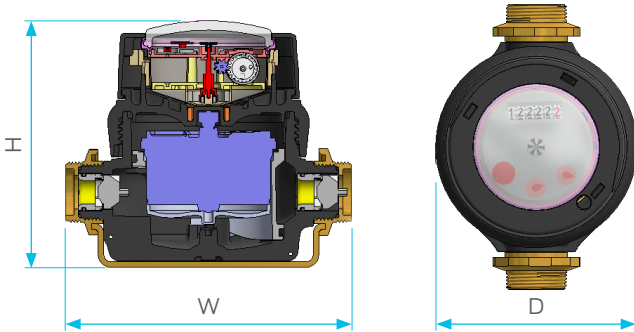
- Horizontal
- Vertical
- Inclined

Gladiator Water Meter

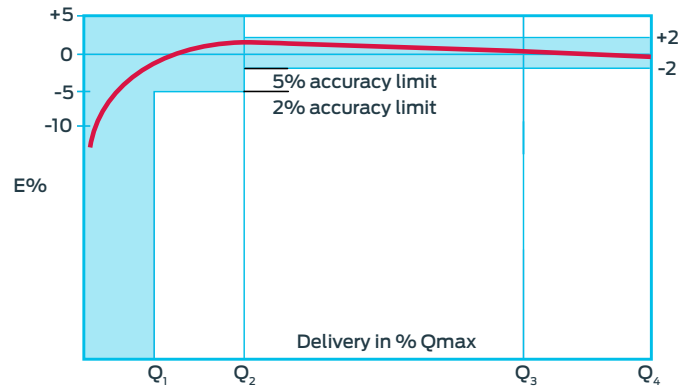
Dimensions

Size	W	H	D
15mm	152	133	108
20mm	154	133	108
20mm LoRa	154	148	108

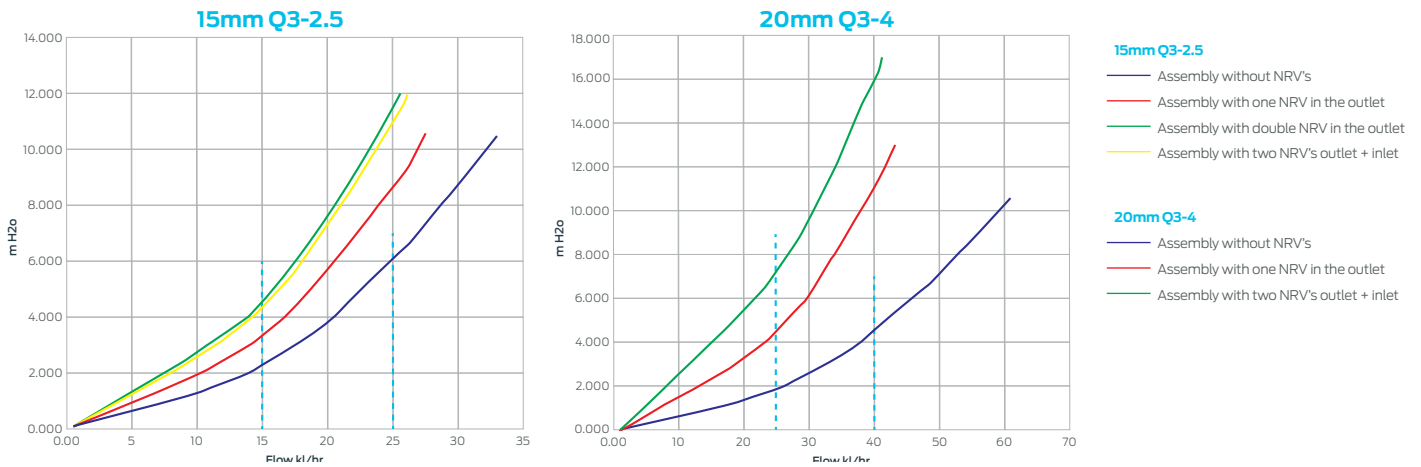
Note: All measurements in mm unless otherwise stated.



Accuracy Curve



Head Loss Curve



Performance Specifications

Model	Nominal Size (MM)	Q4 Maximim Flowrate (kl/h)	Q3 Nominal Flowrate (kl/h)	Q2 Transitional Flowrate (l/h)	Q1 Minimim Flowrate (kl/h)	R Q3/Q1	Δp at Q3 max	Maximum Register Capacity (kl)	Minimum Register Capacity (l)	Sensitivity (l/h)
WM151PD	15	3.125	2.5	10.00	6.25	400	63	10 ⁵	0.02	1
WM211PD	20	5.0	4.0	25.60	16	250	63	10 ⁵	0.02	2
WM212PD	20	5.0	4.0	25.60	16	250	63	10 ⁵	0.02	2
WM213PD	20	5.0	4.0	25.60	16	250	63	10 ⁵	0.02	2

Gladiator Water Meter

Standards and Approvals

- NMI R49



WMK 26311
AS3565.1

Installation

Installation is subject to the requirements of the applicable regulatory authority, the National Construction Code Volume Three – Plumbing Code of Australia, associated reference standards as applicable at the time and AS/NZS 3500.1.

Warranty

Reliance Worldwide Corporation (Aust.) Pty. Ltd. (RWC) will either replace or repair any defective goods where the defect arose as a result of manufacture within the warranty period. You may contact RWC at the phone number, address or e-mail shown below for further information or to make a claim.

Visit www.rmc.com.au/warranty to view the warranty statement in full and for further important information.