

# Hose Connection Vacuum Breaker

## Scope of Use / Specification Sheet

The RMC Hose Connection Vacuum Breaker is designed to prevent back siphonage through a hose connected to a safe drinking water supply.



### Product Code

Model	Catalogue Number
20mm	7105
20mm chrome	7105.2
25mm	7107
25mm chrome	7107.2

### Application

The Hose Connection Vacuum Breaker provides protection to the potable water supply from contamination in low hazard applications, such as flexible connections over domestic fixtures and external hose taps.

### Materials

Body	Brass or chrome plated brass
Spring	Stainless steel

### Features and Benefits

- Comprises a single check valve, spring loaded to closed position with atmospheric vacuum breaker vent
- Corrosion resistant
- Choice of brass or chrome plated finish
- Brass body
- Suitable for hot or cold water service (up to 80°C at 1400kPa)
- Durable
- Maximum working pressure of 1400kPa
- 'Breakaway' set screw protects against tampering
- Approved to AS 2845.1

### Technical Specifications

Inlet	Female BSP
Outlet	Male BSP
Maximum working pressure	1400 kPa
Maximum temperature	80°C

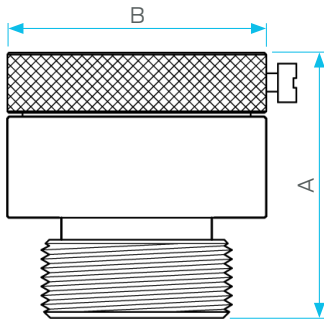


## Hose Connection Vacuum Breaker

### Dimensions

Size	Model	Length (A)	Diameter (B)
20mm	7105 / 7105.2	28	28
25mm	7107 / 7107.2	36	38

Note: All measurements in mm unless otherwise stated.



### Installation

Installation is subject to the requirements of the applicable regulatory authority, the National Construction Code Volume Three – Plumbing Code of Australia, associated reference standards as applicable at the time and AS/NZS 3500.1.

### Warranty

Reliance Worldwide Corporation (Aust.) Pty. Ltd. (RWC) will either replace or repair any defective goods where the defect arose as a result of manufacture within the warranty period. You may contact RWC at the phone number, address or e-mail shown below for further information or to make a claim.

Visit [www.rmc.com.au/warranty](http://www.rmc.com.au/warranty) to view the warranty statement in full and for further important information.