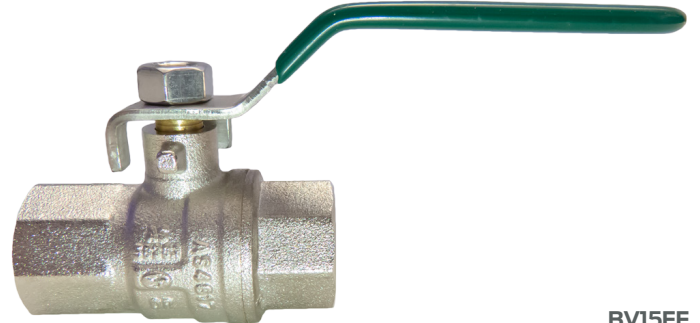


Gas and Water Ball Valves

Scope of Use / Specification Sheet

The RMC Gas and Water Ball Valves range in size from 20mm to 25mm. RMC can also supply a variety of fittings such as compression, capillary and more.



BV15FF

Product Code		
Model	Size	Catalogue Number
Ball Valve – Butterfly Type Handle – F&F	15mm	BV15FF-BH
	20mm	BV20FF-BH
Ball Valve – Butterfly Type Handle – M&F	15mm	BV15MF-BH
	20mm	BV20MF-BH
Lever Ball Valve – F&F	6mm	BV06FF
	8mm	BV08FF
	10mm	BV10FF
	15mm	BV15FF
	20mm	BV20FF
	25mm	BV25FF
	32mm	BV32FF
	40mm	BV40FF
	50mm	BV50FF
	65mm	BV65FF
Lever Ball Valve – M&F	80mm	BV80FF
	100mm	BV100FF
	15mm	BV15MF
	20mm	BV20MF
Extended Spindle Lever Ball Valve – F&F	15mm	BV15FF-E
	20mm	BV20FF-E
	25mm	BV25FF-E
	32mm	BV32FF-E
	40mm	BV40FF-E
50mm	BV50FF-E	

Features and Benefits

- Forged DZR brass body
- Bottom loading, dual O-Ring sealed stem
- Resilient seats
- Straight through (M&F, F&F) versions
- Long life performance through its high quality components
- Light weight construction for ease of handling
- Quality guaranteed water marked and gas marked product

Materials

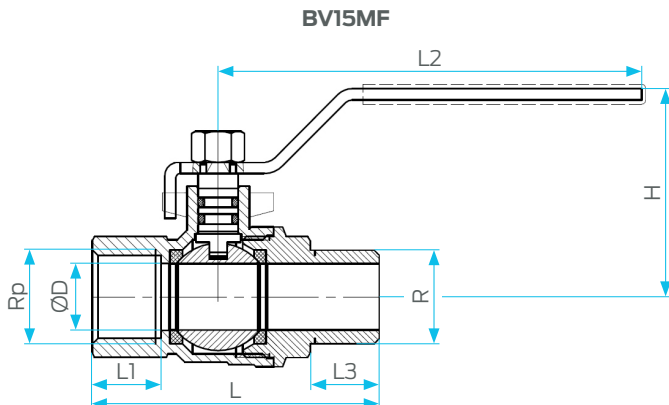
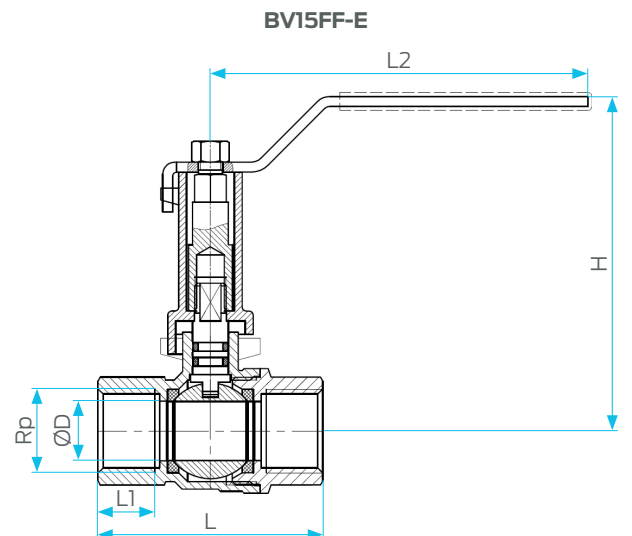
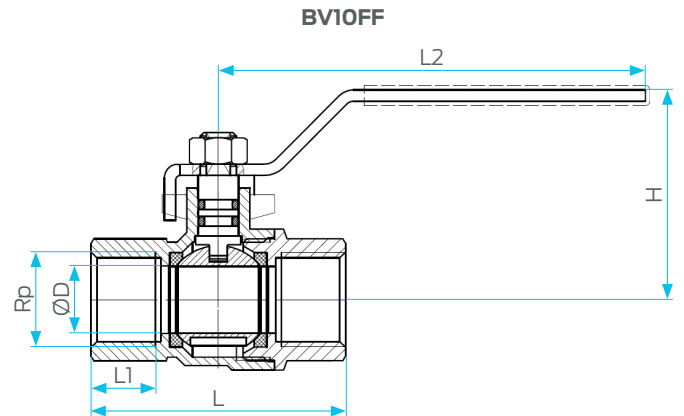
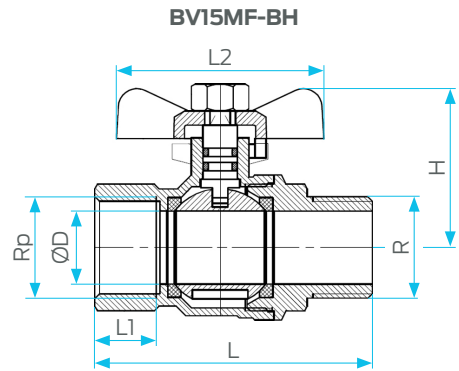
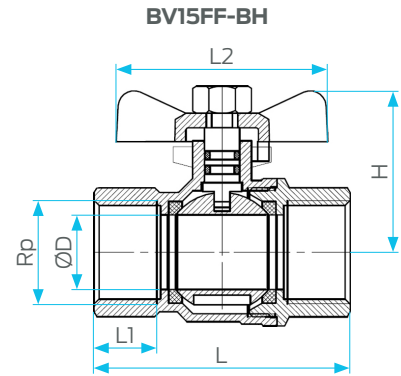
Body	C35200
Bonnet	C35200
Seat	PTFE
Ball	C35200
Stem	CW602N
O-Ring	NBR
O-Ring	HNBR
Extension housing	CW614N
Lever	SS304
Lever Nut	SS304
Stem nut	SS304
T Handle (BV15MF-BH/ BV20MF-BH)	SS304
T Handle (BV15FF-BH/ BV20FF-BH)	Al
Extension stem	CW614N

Gas and Water Ball Valves

Dimensions

Size	Size (RP)	H	L	L1	L2	L3	ØD
BV15FF-BH	½"	37	59.6	16	54	-	14.8
BV20FF-BH	¾"	41.3	67.4	17	54	-	19
BV15MF-BH	½"	37	66	16	54	-	14.8
BV20MF-BH	¾"	41.3	73.4	17	54	-	19
BV06FF	⅛"	28.6	40.4	9.5	70	-	8
BV08FF	¼"	32.8	46.4	11.5	70	-	10
BV10FF	⅜"	32.8	47.4	12	70	-	10
BV15FF	½"	47.5	59.6	16	95	-	14.8
BV20FF	¾"	49.5	67.4	17	95	-	19
BV25FF	1"	61.3	80	20	115	-	24
BV32FF	1¼"	68.5	93.8	21.4	134	-	32
BV40FF	1½"	78.5	102.6	22.5	140	-	40
BV50FF	2"	86.5	124.2	27	140	-	50
BV65FF	2½"	115	151.2	31.5	220	-	64
BV80FF	3"	121	163.4	31.5	220	-	74
BV100FF	4"	143.5	210.6	40.5	220	-	99
BV15MF	½"	46.5	66	16	95	15.5	14.8
BV20MF	¾"	49.5	73.4	17	95	17	19
BV15FF-E	½"	84	59.6	16	95	-	14.8
BV20FF-E	¾"	87	67.4	17	95	-	19
BV25FF-E	1"	95	80	20	115	-	24
BV32FF-E	1¼"	108	93.8	21.4	134	-	32
BV40FF-E	1½"	114	102.6	22.5	140	-	40
BV50FF-E	2"	130	124.2	27	140	-	50

Note: All measurements in mm unless otherwise stated.



Gas and Water Ball Valves

Service Conditions

	Water	Gas
Working Temperature Range	0°C to 90°C	0°C to 60°C
Maximum Working Pressure	2500kPa	2500kPa
Medium	Gas and Water	
Handle Colour	Green	

Installation

Installation is subject to the requirements of the applicable regulatory authority, the National Construction Code Volume Three – Plumbing Code of Australia, associated reference standards as applicable at the time and AS/NZS 3500.1.

Standards and Approvals



AS 2345
AS 4617



AS 5830.1
WMK 022614

Warranty

Reliance Worldwide Corporation (Aust.) Pty. Ltd. (RWC) will either replace or repair any defective goods where the defect arose as a result of manufacture within the warranty period. You may contact RWC at the phone number, address or e-mail shown below for further information or to make a claim.

Visit www.rmc.com.au/warranty to view the warranty statement in full and for further important information.