

Compact Pressure Reducing Valve

Scope of Use / Specification Sheet

The RMC Pressureguard® Compact Pressure Reducing Valve is used in water systems to limit the downstream pressure to the pre-set maximum. Easy serviceability and robust design makes the Pressureguard® a premium valve on the market.



PRV15, PRV20, PRV25

Product Code

| Model | Catalogue number |
|-------|------------------|
| 15mm | PRV15 |
| 20mm | PRV20 |
| 25mm | PRV25 |

Materials

| | |
|-----------------|----------------------------|
| Body | Forged brass |
| Spring chamber | Epoxy coated zinc alloy |
| Adjusting screw | Brass |
| Pressure plate | Steel (zinc plated) |
| Diaphragm | EPDM |
| Seat Disc | EPDM |
| Piston | DZR brass |
| Strainer | Stainless steel |
| O-Ring | EPDM |
| Cartridge case | mPPE (polyphenylene ether) |

Application

The RMC Pressureguard® Compact Pressure Reducing Valve is suitable for use in residential installations. The valve maintains a constant maximum outlet pressure to protect downstream installations from variations in supply pressure. Installing a Pressure Reducing Valve can minimise water wastage.

Incorporating the latest technologies into the modular designed compact PRV, the valve is suited for installations in areas with limited access.



Features and Benefits

- Adjustable outlet pressure set
- High flow capacity with minimal head loss
- Suitable for entire residential installations
- Robust design and construction
- Protects downstream installations from excess supply pressure
- Reduces maintenance and repair costs on expensive equipment
- Compact cartridge based design
- Valve and strainer can be serviced without disassembly
- No special tools required for maintenance or adjustment
- Simple screw adjustment mechanism
- Can be installed in any orientation

Technical Specifications

| | |
|--|---------------|
| Recommended Operating Pressure Range | 500 – 1600kPa |
| Multiple Installation Operating Pressure Range | 500 – 1000kPa |
| Maximum Inlet Pressure | 2000kPa |
| Maximum Supply Temperature | 80°C |
| Adjustable Outlet Pressure Range | 150 – 600kPa |
| Factory Set Pressure | 500kPa ± 10% |
| Fluid Media | Water |

Standards and Approvals



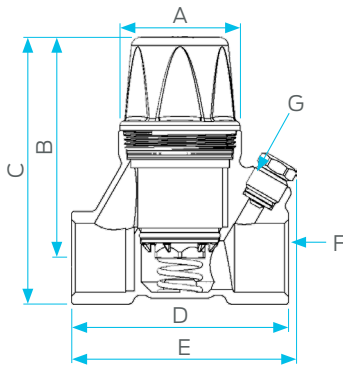
AS 1357.2
WMKA0938
SAI GLOBAL

Compact Pressure Reducing Valve

Dimensions

| Model | A | B | C | D | E | F | G |
|-----------------|----|----|----|----|----|------------------|-----------------|
| PRV 15mm Female | 43 | 80 | 94 | 76 | 80 | RP $\frac{1}{2}$ | G $\frac{1}{4}$ |
| PRV 20mm Female | 43 | 77 | 93 | 76 | 79 | RP $\frac{3}{4}$ | G $\frac{1}{4}$ |
| PRV 25mm Female | 43 | 74 | 93 | 79 | 81 | RP1 | G $\frac{1}{4}$ |

Note: All measurements in mm unless otherwise stated.



Multi-Storey Buildings

Where multiple pressure reducing valves will be used as part of a hydraulic circuit, consideration should be given to the design of the hydraulic circuit to avoid the operating condition where combined high inlet pressure/low outlet flow-rate results in high water velocity within the pressure reducing valve. Where inlet pressures are likely to exceed 1000kPa, this may be achieved through staged pressure reduction measures.

Installation

Installation is subject to the requirements of the applicable regulatory authority, the National Construction Code Volume Three – Plumbing Code of Australia, associated reference standards as applicable at the time and AS/NZS 3500.1.

Warranty

Reliance Worldwide Corporation (Aust.) Pty. Ltd. (RWC) will either replace or repair any defective goods where the defect arose as a result of manufacture within the warranty period. You may contact RWC at the phone number, address or e-mail shown below for further information or to make a claim.

Visit www.rmc.com.au/warranty to view the warranty statement in full and for further important information.

Flow Rates

| | | |
|------|----------|--------|
| DN15 | 18L/min | 150kPa |
| | 60L/min | 600kPa |
| DN20 | 20L/min | 150kPa |
| | 118L/min | 600kPa |
| DN25 | 35L/min | 150kPa |
| | 120L/min | 600kPa |

