

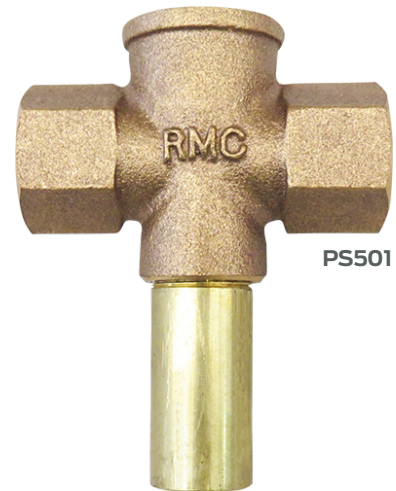
# PS Range

## Pressure Limiting Valves

### Scope of Use / Specification Sheet

RMC's PS Pressure Limiting Valves regulate inlet supply line pressure to a preset maximum.

PS Pressure Limiting Valves are ideal for use with high pressure storage water heaters, water meter assemblies, water softeners etc.



Product Code				
Model		350kPa	500kPa	600kPa
PS50	Female BSP	PS501	PS502	PS503
PS50-C	Compression	PSC501	PSC502	PSC503
PS75	Female BSP	PS701	PS702	PS703
PS100	Female BSP	PS1001	PS1002	PS1003

### Description

RMC's PS Pressure Limiting Valves are of a T-shaped design. PS Pressure Limiting Valves are available in 15mm, 20mm and 25mm configurations.

RMC PS Pressure Limiting Valves are suitable for use to limit supply pressure below the set pressure of the expansion control valve and/or pressure and temperature relief valve on a high pressure storage water heater. The PS range of valves can be used interchangeably with the PSL range.

### Materials

Body	Cast Gunmetal / Brass
Internal Parts	Brass and Stainless Steel
Seat Disc	Silicone
Pressure Spring	Stainless Steel
Piston	Acetal / Brass

### Features and Benefits

- High pressure and temperature tolerances
- Suitable for a wide variety of pressure limiting applications
- Dezincification resistant
- Meets Australian Standard for potable water supply
- Suitable for horizontal or vertical installation. Valve designed to work effectively in either orientation
- Available in fixed outlet pressure settings of 350kPa, 500kPa and 600kPa

### Note

This valve is of a piston based design and needs a vent hole to ensure operation. If this valve is exposed to high inlet pressures (e.g. Poor water conditions or under water hammer conditions), damage to the valve can result in water leaking through the vent hole.

This hole should not be covered or filled in any way to prevent malfunction of this valve. It is recommended to not install this valve in enclosed spaces or areas where the venting of water has a potential to cause damage.



# PS Range Pressure Limiting Valves

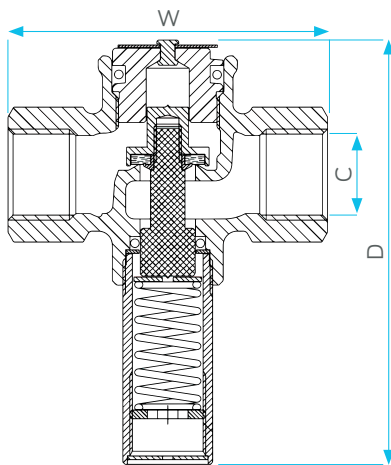
## Specifications

Model	DN Size	Inlet/Outlet Fittings	Standard Pressure Settings Available (kPa)	Maximum Inlet Pressure (kPa)	Maximum Temperature
PS50-C	15	Compression	350, 500, 600	1400	40°C
PS50	15	BSP (FI)	350, 500, 600	1400	40°C
PS75	20	BSP (FI)	350, 500, 600	1400	40°C
PS100	25	BSP (FI)	350, 500, 600	1400	40°C

## Dimensions

Model	Width (W)	Diameter (D)	Connection (C)
PS50	74	98	G½ Internal
PS50-C	80	98	G½ Male Compression
PS75	80	114	G¾ Internal
PS100	103	94	G1 Internal

Note: All measurements in mm unless otherwise stated.



## Flow Rates

Nominal Diameter	Flow Rate for 350kPa Set Pressure
15mm	45 l/min at 700kPa inlet
20mm	80 l/min at 700kPa inlet
25mm	150 l/min at 700kPa inlet

## Colour Code

Pressure Setting	Rating Plate Colour
350kPa	Yellow print and text
500kPa	Black print and text
600kPa	Blue print and text

## Installation

Installation is subject to the requirements of the applicable regulatory authority, the National Construction Code Volume Three – Plumbing Code of Australia, associated reference standards as applicable at the time and AS/NZS 3500.1.

## Standards and Approvals



AS 1357.2  
WMKA0938

## Warranty

Reliance Worldwide Corporation (Aust.) Pty. Ltd. (RWC) will either replace or repair any defective goods where the defect arose as a result of manufacture within the warranty period. You may contact RWC at the phone number, address or e-mail shown below for further information or to make a claim.

Visit [www.rmc.com.au/warranty](http://www.rmc.com.au/warranty) to view the warranty statement in full and for further important information.