

Non-Return Valves

Scope of Use / Specification Sheet

RMC High Temperature Non-Return Valves prevent the backflow of water from a water heater to the mains line.



Product Code

Model	Size	Product Code
NR50 High Temperature	15mm Female BSP	NR50HT
NR75 High Temperature	20mm Female BSP	NR75HT
NR100 High Temperature	25mm Female BSP	NR100HT

Materials

Body	Arsenical Brass
Internal Parts	Neoperl® OV15-HT/OV20-HT AS/NZS 4020 Approved

Application

RMC Non-Return Valves are suitable for use on water heater systems or wherever non-return functionality is required. RMC recommends installing a Non-Return Valve as part of a complete inlet control system for water heater applications.

Notes

For applications relating to the protection of drinking water supplies from contamination, please refer to RMC's Backflow Prevention product range.

Features and Benefits

- Durable, single piece, brass body
- Tamper-proof non-return valve
- Dezincification resistant
- Meets Australian Standard for potable water supply
- Valve designed to work effectively in either vertical or horizontal installations

Description

Non-Return Valves serve the dual purpose of protecting the mains supply from contamination and prevents the loss of water that has already been heated.

Non-Return Valves are suitable for use in domestic and commercial water heater installations, and are rated for high temperature applications (up to 99°C).

RMC Combination Non-Return Valves are available in 15mm, 20mm and 25mm configurations, and conform to AS 1357.1-2009.

Installation

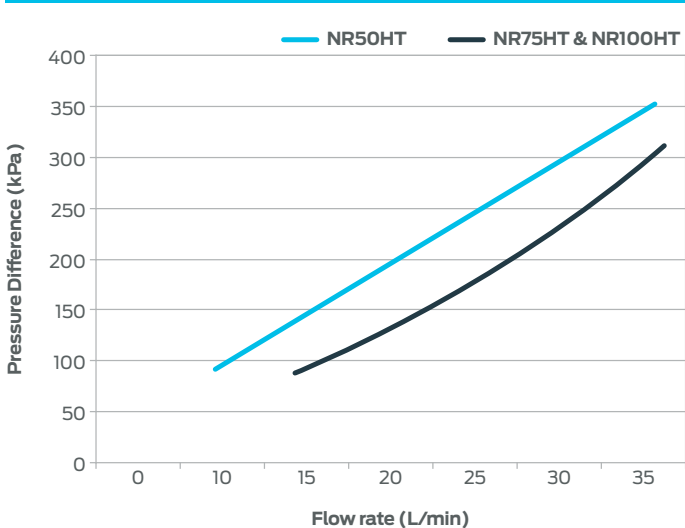
Installation is subject to the requirements of the applicable regulatory authority, the National Construction Code Volume Three – Plumbing Code of Australia, associated reference standards as applicable at the time and AS/NZS 3500.1.

Non-Return Valves

Technical Specifications

Operating Temperature	1°C – 99°C	
Maximum Inlet Pressure	1400kPa	
Inlet / Outlet Connections	G½, G¾, G1 Internal thread	
Installation Orientation	Horizontal or Vertical	
Maximum Flow Rate	NR50HT	36 L/min
	NR75HT & NR100HT	50 L/min
Opening Pressure	NR50HT	2.1kPa
	NR75HT & NR100HT	1.7kPa

Flow Characteristics



Standards and Approvals

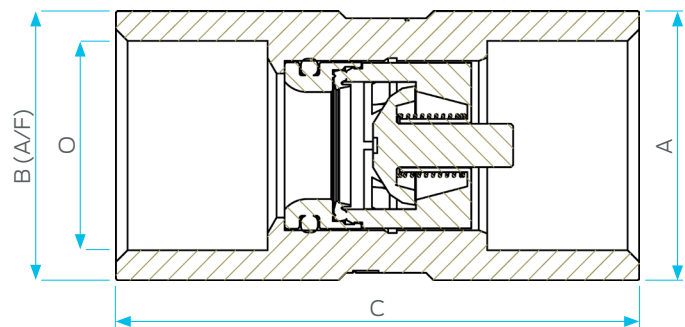


AS 1357.1
WMKA0938

Dimensions

Size	A	B	C	Outlet (O)
NR50HT	31	27	53	DN15
NR75HT	37	32	62	DN20
NR100HT	44	38	68	DN25

Note: All measurements in mm unless otherwise stated.



Warranty

Reliance Worldwide Corporation (Aust.) Pty. Ltd. (RWC) will either replace or repair any defective goods where the defect arose as a result of manufacture within the warranty period. You may contact RWC at the phone number, address or e-mail shown below for further information or to make a claim.

Visit www.rmc.com.au/warranty to view the warranty statement in full and for further important information.