

Backflow Prevention Repair Kit

Scope of Use / Specification Sheet

The Flomatic® Backflow Prevention Repair Kit offers top performance and reliable parts. The repair kit provides easy and economical servicing. The single top plate entry cover allows quick access to the side entry checks and RPZ relief.



Features and Benefits

- Single access cover
- Complete relief valve stem modules
- Separate side entry checks with O-Ring seal
- Stainless steel spring clips to secure check seats
- Stainless steel relief valve seats

Technical Specifications

	20, 25, 32, 40, 50 (mm)	65, 80, 100, 150, 200 (mm)
Max. working pressure	1200kPa	1200kPa
Max. working temperature	82°C	60°C

Installation

Installation is subject to the requirements of the applicable regulatory authority, the National Construction Code Volume Three – Plumbing Code of Australia, associated reference standards as applicable at the time and AS/NZS 3500.1.

Description

The Flomatic Backflow Repair Kits are listed as:

- RPZ** First Check Assembly, Second Check Assembly, Relief Assembly Kit, and Rubber Service Kit
- DCV** First Check Assembly, Second Check Assembly and Rubber Service Kit
- SCV** First Check Assembly, Rubber Service Kit

The check valve assembly consists of stainless steel shaft, plastic seat, brass disc holder and brass spring retainer. The RPZ relief consists of the sealing cover relief valve diaphragm, relief stem and spring.

Warranty

Reliance Worldwide Corporation (Aust.) Pty. Ltd. (RWC) will either replace or repair any defective goods where the defect arose as a result of manufacture within the warranty period. You may contact RWC at the phone number, address or e-mail shown below for further information or to make a claim.

Visit www.rmc.com.au/warranty to view the warranty statement in full and for further important information.



Backflow Prevention Repair Kit

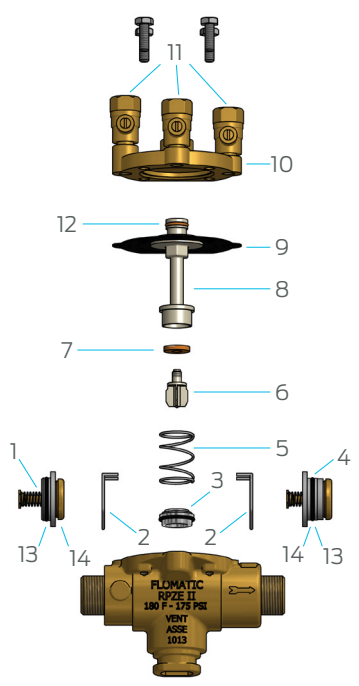
RPZD Repair Kit

Catalogue Number

Size	Relief	First Check	Second Check	Rubber Kit
15 – 20mm	89880P9 (3,5,6,7,8,9,12)	89878P9 (1,2)	89879P9 (2,4)	B93RK99 (3,7,9,12,13(x2),14(x2))
25mm	89850P0 (3,5,6,7,8,9,12)	89848P0 (1,2)	89849P0 (2,4)	B92RK00 (3,7,9,12,13(x2),14(x2))
32mm	89850P2 (3,5,6,7,8,9,12)	89848P2 (1,2)	89849P2 (2,4)	B92RK02 (3,7,9,12,13(x2),14(x2))
40 – 50mm	89850P3 (3,5,6,7,8,9,12)	89848P3 (1,2)	89849P3 (2,4)	B92RK03 (3,7,9,12,13(x2),14(x2))
65 – 80mm	89850P5 (3,4,6,7,8,9,10,12)	89848P5 (1,2)	89849P5 (2,5)	B92RK05 (3,4,6,10,12,13(x2),14(x2))
100mm	89850P7 (3,4,6,7,8,9,10,12)	89848P7 (1,2)	89849P7 (2,5)	B92RK07 (3,4,6,10,12,13(x2),14(x2))
150mm	89850P9 (3,4,6,7,8,9,10,12)	89848P9 (1,2)	89849P9 (2,5)	B92RK09 (3,4,6,10,12,13(x2),14(x2))
200mm	89850P10 (3,4,6,7,8,9,10,12)	89848P10 (1,2)	89849P10 (2,5)	B92RK10 (3,4,6,10,12,13(x2),14(x2))

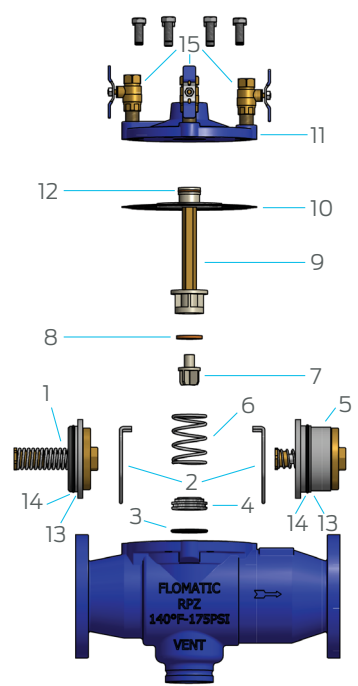
RPZ

No.	Description	No.	Description
1	First Check Valve	8	Relief Valve Stem
2	Check Valve Retainers	9	Relief Valve Diaphragm
3	Relief Valve Seat	10	Top Plate Assembly
4	Second Check Valve	11	Test Cocks
5	Spring	12	Stem O-Ring
6	Relief Valve Disc Retainer	13	Check O-Ring
7	Relief Valve Disc	14	Check Washers



RPZ

No.	Description	No.	Description
1	First Check Valve	9	Relief Valve Stem
2	Check Valve Retainers	10	Relief Valve Diaphragm
3	Seat O-Ring	11	Top Plate Assembly
4	Relief Valve Seat	12	Stem O-Ring
5	Second Check Valve	13	Check O-Ring
6	Spring	14	Check Washers
7	Relief Valve Disc Retainer	15	Test Cocks
8	Relief Valve Disc		



Backflow Prevention Repair Kit

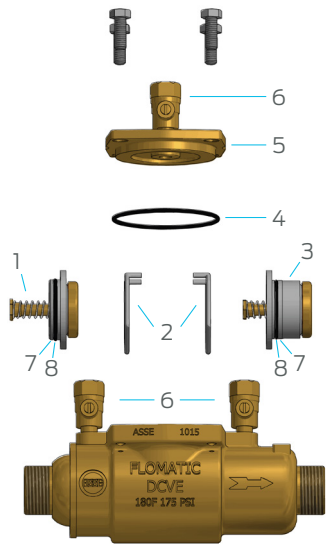
DCV Repair Kit

Catalogue Number

Size	First Check	Second Check	Rubber Kit
20 – 25mm	89855P0 (1, 2)	89849P0 (2, 3)	B91RK00 (4, 7(x2), 8(x2))
32mm	89855P2 (1, 2)	89849P2 (2, 3)	B91RK02 (4, 7(x2), 8(x2))
40 – 50mm	89855P3 (1, 2)	89849P3 (2, 3)	B91RK03 (4, 7(x2), 8(x2))
65 – 80mm	89855P5 (1, 2)	89849P5 (2, 3)	B91RK05 (4, 7(x2), 8(x2))
100mm	89855P7 (1, 2)	89849P7 (2, 3)	B91RK07 (4, 7(x2), 8(x2))
150mm	89855P9 (1, 2)	89849P9 (2, 3)	B91RK09 (4, 7(x2), 8(x2))
200mm	89855P10 (1, 2)	89849P10 (2,3)	B91RK10 (4,7(x2),8(x2))

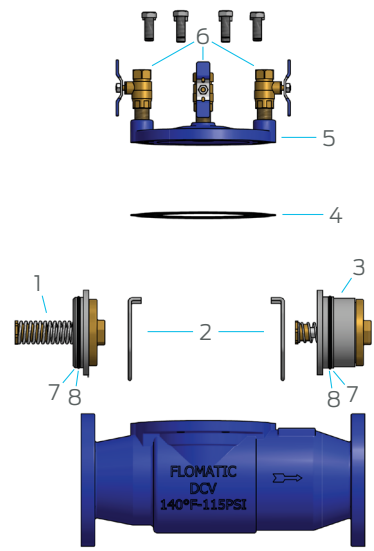
DCVE

No.	Description	No.	Description
1	First Check Valve	5	Top Plate Assembly
2	Check Valve Retainers	6	Test Cocks
3	2nd Check Valve	7	Check O-Rings
4	Top Plate O-Ring	8	Check Washers



DCV

No.	Description	No.	Description
1	1st Check Valve	5	Top Plate Assembly
2	Check Valve Retainers	6	Test Cocks
3	2nd Check Valve	7	Check O-Rings
4	Top Plate Gasket	8	Check Washers



Backflow Prevention Repair Kit

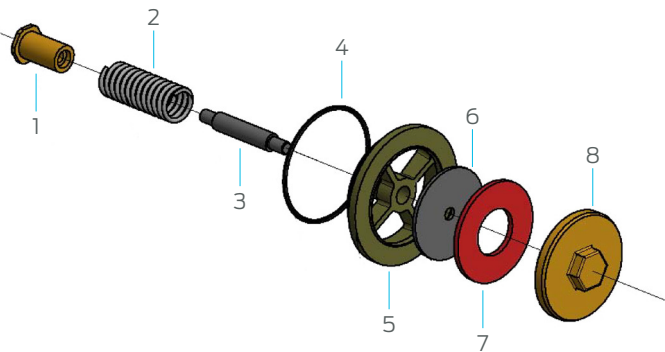
SCV/SDCV Repair Kit

Catalogue Number

Size	Single Check – First Check Valve Assembly Kit	Single Detector Check – First Check Valve Assembly Kit	Rubber Kit
DN100	89861S7	8986SD7	B93SD7
DN150	89861S9	8986SD9	B93SD9
DN200	89861S10	8986SD10	B93SD10

SCV

No.	Description	No.	Description
1	Stem Retainer	5	Seat Ring
2	Spring	6	Disc Retainer
3	Stem	7	Disc
4	O-Ring	8	Disc Hold



SDCV

No.	Description	No.	Description
1	CV Assembly	4	Coupling
2	CV Spring Clip	5	Cover
3	Body	6	Plug

