

RMC's Auto Air Vent is an air and vacuum relief valve for use on closed circuit solar hot water systems.



## Catalogue Numbers

AUTO AIR VENT 10mm	AVHTS-10
AUTO AIR VENT 15mm	AVHTS-15

## Description

During normal operation, accumulated air in the system is relieved through the valve by means of a float mechanism. Gathered air bubbles cause the float to drop, opening the valve and forcing the air out under water pressure until the float rises and once again seals the valve.

The Auto Air Vent will also act as a vacuum breaker in situations where the closed circuit is isolated and drained.

The Auto Air Vent has been designed using high temperature Viton® O-rings seal in order to withstand high stagnation temperatures encountered in solar hot water systems.

## Application

RMC's Auto Air Vent is an air and vacuum relief valve designed for use with solar hot water systems. Refer to solar hot water system manufacturers' installation requirements for the correct positioning of the valve in the system. Typically, the valve is installed at the highest point of the solar hot water system, or at a location where air bubbles are likely to accumulate.

## Materials

Body	Chrome Plated DR Brass
Float	Stainless Steel
Internal Components	Stainless Steel
Seals	Viton® High Temperature
Cap/Stem/Cover/Locating Screw	Chrome Plated DR Brass
External Retaining Ring/Locknut	Chrome Plated Brass (non-wetted parts)

## Note

The Auto Air Vent valve must be installed in it's vertical orientation. Failure to do so may result in the valve failing to perform as intended.

## Features and Benefits

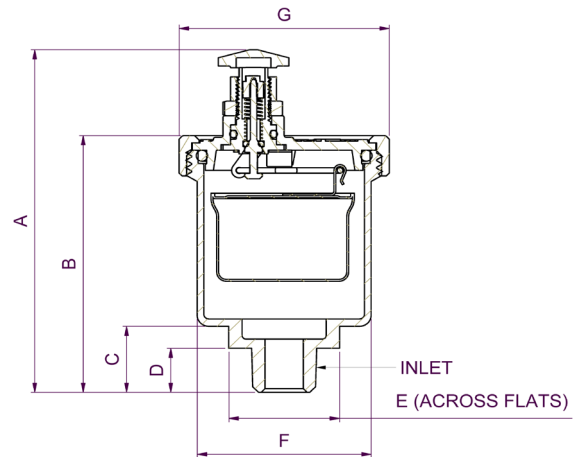
- 10mm (3/8" BSPT) and 15mm (1/2" BSPT) Connection
- Convenient connection size - removes the need for adapters and additional joins in pipe work
- Stainless steel float
- Capable of withstanding high pressures when commissioning solar hot water systems
- "Always open" Vent Cap
- Valve will still vent water with the cap fully screwed down - avoids potential installation issues
- Vent cap designed to minimize the risk of blockage due to foreign matter
- Dezincification resistant
- Chrome plated brass body - meets Australian Standard for potable water supply
- High temperature Viton® O-rings
- Individually tested

## Technical Specifications

Maximum Temperature	230°C
Maximum Working Pressure	1400kPa
Connection	R½

## Dimensions

	Auto Air Vent 10mm	Auto Air Vent 15mm
Inlet	R 3/8	R 1/2
A	93	98
B	70	75
C	18	23
D	12	17
E (Across Flats)	26	26
F	46	46
G	55	55



Note: All dimensions in millimetres unless otherwise specified.