

WATER METER BOXES



The Reliance Meter Boxes have been developed to improve the quality and reduce installation costs for meter services.

Meter Box Kits

Model	Catalogue Number
20mm Dual Meter Box - Reverse Taper, 4 Lockable Ball Valves, 2 Spacers, 2 Adjustable Meter Couplings, 2 Meter Couplings	KIT235
20mm Single Meter Box - Reverse Taper, 2 Lockable Ball Valves 20mm, 1 Spacer, 1 Adjustable Meter Coupling, 1 Meter Coupling	KIT236
20mm Single Meter Box - Reverse Taper, 2 Lockable Ball Valves, 1 Spacer, 2 Meter Couplings	KIT237

Note: All meter couplings are meter thread

Meter Box Only

Model	Catalogue Number
Large Shallow Meter Box, Black Lid, "Water Meter"	WMBOX200
Large Shallow Meter Box, (Taper), Black Lid, "Meter"	WMBOX203
Large Deep Meter Box, Black Lid, "QUU Water Meter"	WMBOX207
Open Bottom Box (Reverse Taper) for Flat Base (WMBOX209), Green Lid - Holes not drilled	WMBOX204
Flat Base for Reverse Taper Box (WMBOX204)	WMBOX209
Meter Box HD - Water Meter Box Metal Lid (Suitable for Reverse Tapered Box Only)	WMLID

Features and Benefits

- Full DZR Brass components
- Lockable inlet and outlet ball valves
- Standard meter connection couplings
- Extendable coupling allowing easy fit of meter
- Box base included to ensure stable footprint
- Fully serviceable
- Polymer spacer included
- Long service life components
- Reduced installation costs
- Fast service connection and meter installation / replacement

KIT235



KIT236



KIT237



WMBOX207



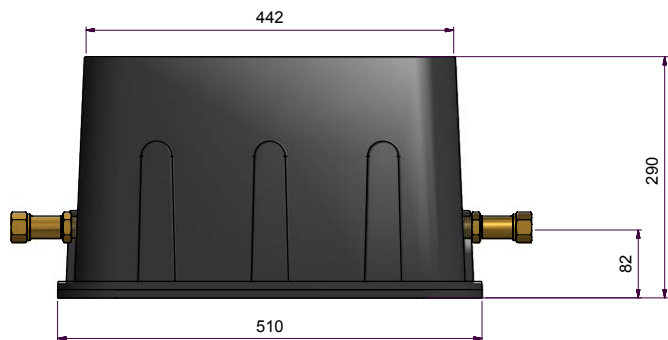
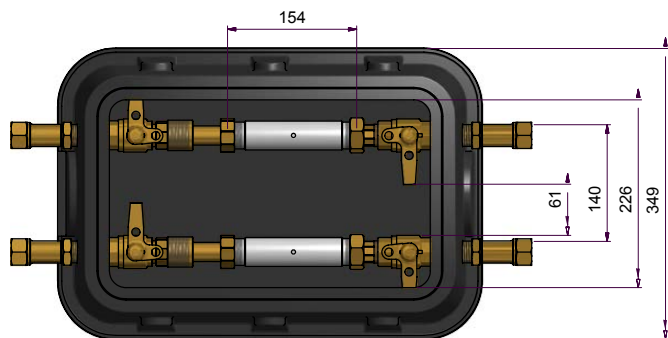
Uniquely Australian

WATER METER BOXES

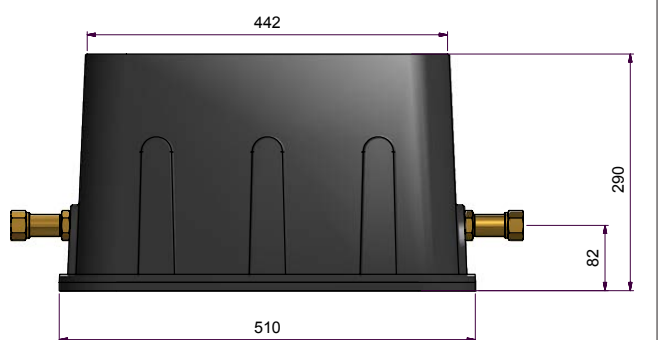
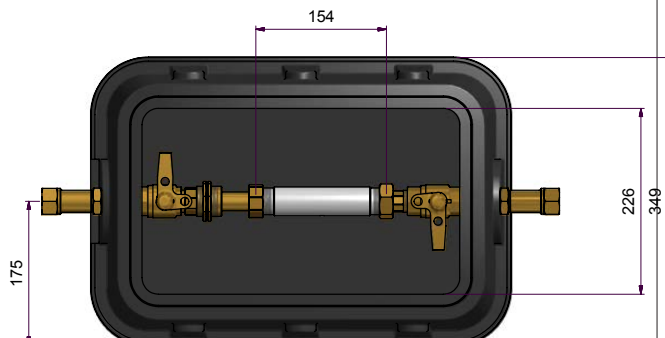


Dimensions

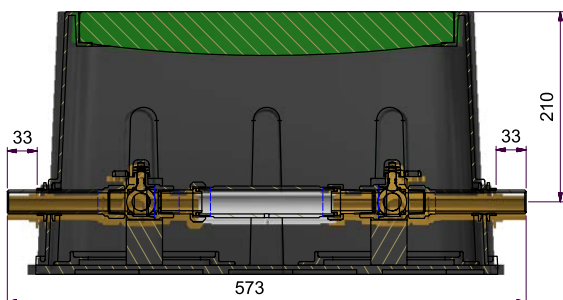
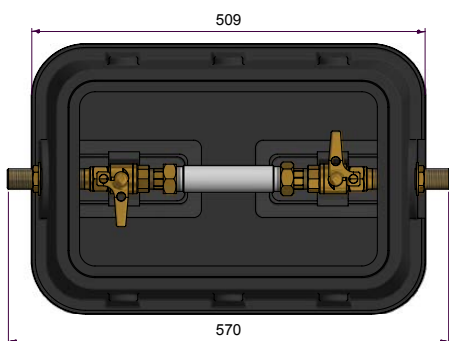
Dual Service Meter Box - KIT235 Reverse Taper



Single Service Meter Box - KIT236 Reverse Taper



Single Service Meter Box - KIT237 Reverse Taper



WATER METER BOXES



Dimensions

Single Meter Box

WMBOX200 & WMBOX203

Description WMBOX200: Large Shallow Meter Box, Black Lid, "Water Meter"
WMBOX203: Large Shallow Meter Box (Taper), Black Lid, "Meter"

Weight 3.00

Dimensions	A	B	C	D	E	F	G	H
	492	438	271	218	220	180	89	72

WMBOX207

Description Large Deep Meter Box, Black Lid, "QUU Water Meter"

Weight 4.00

Dimensions	A	B	C	D	E	F	G	H
	492	438	271	218	316	276	89	72

