

WOLTMAN WATER METER AUSTRALIAN LENGTH

RMC

water valves

The Arad Woltman Meter features unique sliding impeller bearings that ensure a substantially longer lifetime than comparable meters. The Woltman Meter has a wide measuring range and features advanced methods and technologies making it an ideal solution for bulk metering applications.



| Model | Catalogue Number |
|-------|------------------|
| 50mm | WM501WST |
| 80mm | WM801WST |
| 100mm | WM1001WST |
| 150mm | WM1501WST |
| 200mm | WM2001WST |

Description

Bearings and materials used in the Woltman have proven durability far beyond the ISO standard requirement, allowing it to function in extreme conditions where other meters fail to maintain a sufficient level of accuracy. The unique measuring unit has only one moving element, the impeller, which is in contact with the water. The other moving components, including the worm and transmission gears are kept in a hermetically sealed, dry container. The meter complies with OIML R49 EN 14154 and ISO 4064:2005 standards.

Application

The Woltman Meter is intended for use in water supply networks, and agricultural and industrial applications. The water meter may be installed in any position. For non-horizontal positions the flow shall be upwards. The meter shall be full of water while operating. Prior to installation of a meter, the pipeline shall be thoroughly flushed. Straight pipe sections of the same diameter 'D' as the meter, having lengths of '5D' and '3D' shall be installed upstream and downstream of the meter respectively.

Features and Benefits

- The Woltman has a wide measuring rate that enables it to serve in broader applications and in extreme situations (low flows and high flows)
- No sensitivity to working conditions such as vibration
- No sensitivity to humid conditions
- Resistance - Bearings and materials used in the Woltman have proven long life expectancy
- Compatibility - The Woltman is also available with a reed switch sensor installed in a sealed transparent plastic cover that can be mounted on the register



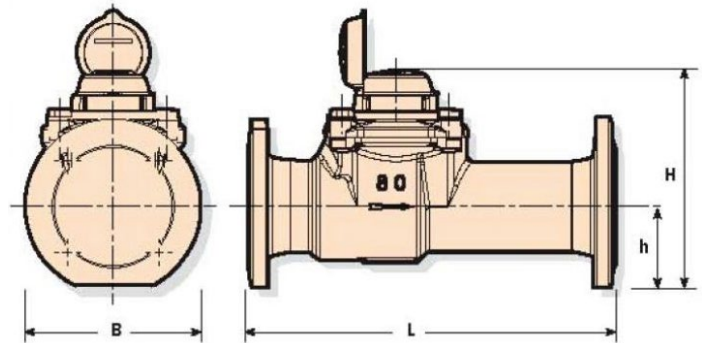
Uniquely Australian

Performance Specifications

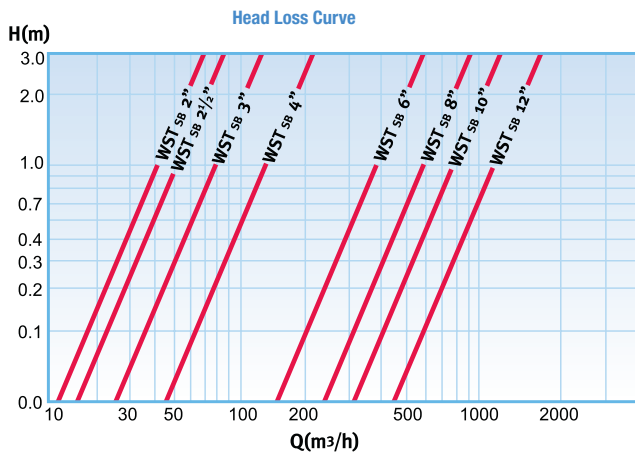
| Model WSTsb | | Q4 Max. Flowrate (m ³ /h) | Q3 Nominal Flowrate (m ³ /h) | Q2 Transitional Flowrate (m ³ /h) | Q1 Minimum Flowrate (m ³ /h) | Starting Flow (m ³ /h) | Max. register capacity (m ³) | R Value | Smallest readable unit (liter) | Accuracy between Q4 & Q2 | Accuracy between Q2 & Q1 |
|-------------------|--------|--------------------------------------|---|--|---|-----------------------------------|--|---------|--------------------------------|--------------------------|--------------------------|
| Nominal size (mm) | (inch) | | | | | | | | | | |
| 50 | 2 | 78.75 | 63 | 1.01 | 0.63 | 0.15 | 106 | 100 | 0.5 | | |
| 65 | 2 ½ | 78.75 | 63 | 1.01 | 0.63 | 0.15 | 106 | 100 | 0.5 | | |
| 80 | 3 | 125 | 100 | 1.6 | 1 | 0.25 | 106 | 100 | 0.5 | | |
| 100 | 4 | 200 | 160 | 2.56 | 1.6 | 0.3 | 107/106 | 100 | 5 | ±2% | ±5% |
| 150 | 6 | 312.5 | 250 | 4 | 2.5 | 0.8 | 107/106 | 100 | 5 | | |
| 200 | 8 | 787.5 | 630 | 20.16 | 12.6 | 2 | 108 | 50 | 50 | | |

Dimensions

| Model | | | | | | |
|-----------------|------|------|-----|-----|-----|-----|
| Nominal Size | mm | 50 | 80 | 100 | 150 | 200 |
| | inch | 2 | 3 | 4 | 6 | 8 |
| L - Length (mm) | | 311 | 413 | 483 | 500 | 520 |
| B - Width (mm) | | 165 | 200 | 200 | 283 | 340 |
| H - Height (mm) | | 214 | 234 | 250 | 310 | 338 |
| h - Height (mm) | | 70 | 90 | 106 | 130 | 158 |
| Weight (kg) | | 16.5 | 19 | 25 | 46 | 61 |



Flow Characteristics



Technical Specifications

| | |
|----------------------------|---|
| Maximum Working Pressure | Standard - 16 bar |
| Maximum Liquid Temperature | 60°C |
| Body | Cast iron, polyester coated, Optional - bronze (AWWA std.) |
| Connection | Flanges according to ISO, BS 10, ANSI 150 or others |