

WOLTMAN SILVER TURBO WATER METER ISO

RMC water valves

The Arad Woltman Silver Turbo is a durable and versatile water meter suitable for use in a wide variety of applications.



Model	Catalogue Number
50mm	WM500WST
65mm	WM650WST
80mm	WM800WST
100mm	WM1000WST
150mm	WM1500WST

Description

The bearings and materials used in the Woltman have proven durability far beyond the ISO standard requirement, allowing it to function in extreme conditions where other meters fail to maintain a sufficient level of accuracy. The unique measuring unit has only one moving element, the impeller, which is in contact with the water. The other moving components, including the worm and transmission gear, are kept in a hermetically sealed dry container. The meter complies with OIML R49 EN 14154 and ISO 4064:2005 standards.

Application

The Woltman Meter is ideal for water supply networks, agricultural applications and industrial use. The water meter may be installed in any position. For vertical positions the flow will be upwards. The meter must be full of water while operating. Prior to installation of a meter, the pipeline should be thoroughly flushed. Straight pipe sections with the same diameter (D) as the meter, having lengths of 5D and 2D, should be installed upstream and downstream of the meter respectively.

Features and Benefits

- The Woltman has a wide measuring rate that enables it to serve in broad applications and in extreme situations (low flows and high flows)
- No sensitivity to working conditions ie. vibrations
- No sensitivity to humidity conditions (even if dry chamber is full of water)
- Resistance - Bearings and materials used in the Woltman have proven to ensure long life expectancy
- Compatibility - The Woltman is also available with a reed switch sensor installed in a sealed transparent plastic cover that can be mounted on the register

Technical Specifications

Maximum Working Pressure	Standard - 16 bar
Maximum Water Temperature	60°C
Body	Cast iron, polyester coated
Connection	Flanges according to ISO, BS 10, ANSI 150 or others
Register	IP68



Uniquely Australian

Performance Specifications

Model WSTsb

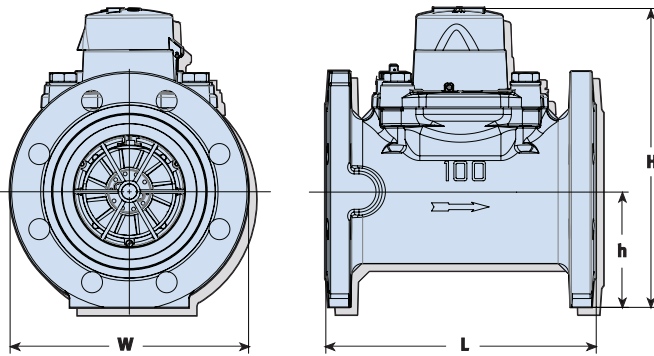
Nominal size (mm) (inch)	Q4 Max. Flowrate (m ³ /h)	Q3 Nominal Flowrate (m ³ /h)	Q2 Transitional Flowrate (m ³ /h)	Q1 Minimum Flowrate m ³ /h)	Starting Flow (m ³ /h)	Max. register capacity (m ³)	R Value	Smallest readable unit (liter)	Accuracy between Q4 & Q2	Accuracy between Q2 & Q1
50 2	78.75	63	1.01	0.63	0.15	10 ⁶	100	0.5		
65 2 ½	78.75	63	1.01	0.63	0.15	10 ⁶	100	0.5		
80 3	125	100	1.6	1	0.25	10 ⁶	100	0.5	±2%	±5%
100 4	200	160	2.56	1.6	0.3	10 ⁷ /10 ⁶	100	5		
150 6	312.5	250	4	2.5	0.8	10 ⁷ /10 ⁶	100	5		

Dimensions

Model

Nominal Size	mm	50	65	80	100	150
	inch	2	2 ½	3	4	6
L - Length		200	200	230	250	300
W - Width		165	185	200	220	283
H - Height		239	254	259	275	344
h - Height		70	84	90	106	130
Weight		12.5	15	15.5	19	35.5

NB. All dimensions are shown in mm unless otherwise stated.
All weights are shown in kg unless otherwise stated.



Flow Characteristics

