

# TAPPING BANDS



The RMC Tapping Band Range delivers proven performance in a proven design. The range comes in sizes from 40mm to 600mm, with take-offs from 20mm to 50mm.

Note: product material configuration may vary over size range.



Coated



Type F



Type R



Maintenance

Coated Tapping Saddles for DI and CI Pipe	
**12501	100mm x 20mm
**12502	100mm x 25mm
**12506	150mm x 20mm
**12507	150mm x 25mm

Tapping Saddles - Maintenance Type	
12341	80mm x 20mm
12342	80mm x 25mm
12351	100mm x 20mm
12352	100mm x 25mm
12355	100mm x 50mm
12371	150mm x 20mm
12372	150mm x 25mm
*12375	150mm x 50mm
12392	225mm x 25mm
*12395	225mm x 50mm
12397	300mm x 25mm
*12400	300mm x 50mm

Tapping Saddles for AC and Compatible Pipe	
**12137	58mm x 20mm
**12138	58mm x 25mm
**12141	80mm x 20mm
**12142	80mm x 25mm
**12145	80mm x 50mm
**12151	100mm x 20mm
**12152	100mm x 25mm
**12153	100mm x 32mm
**12154	100mm x 40mm
**12155	100mm x 50mm
**12171	150mm x 20mm
**12172	150mm x 25mm
**12173	150mm x 32mm
**12174	150mm x 40mm
**12175	150mm x 50mm
**12181	200mm x 20mm
**12182	200mm x 25mm
**12185	200mm x 50mm
12191	225mm x 20mm
12192	225mm x 25mm
12195	225mm x 50mm
12201	250mm x 20mm
12202	250mm x 25mm
12205	250mm x 50mm
12221	300CD x 20mm
12222	300CD x 25mm
12225	300CD x 50mm
12231	375mm x 20mm
12235	375mm x 50mm
12245	450mm x 50mm
12275	600mm x 50mm

Tapping Bands for (white) PVC Pipe Series 1 - Full Circle Model	
12001	40mm x 20mm
**12011	50mm x 20mm
**12012	50mm x 25mm
**12014	63mm x 20mm Poly
**12015	63mm x 25mm Poly
**12031	80mm x 20mm
**12032	80mm x 25mm
**12034	80mm x 40mm
**12035	80mm x 50mm
**12041	100mm x 20mm
**12042	100mm x 25mm
**12043	100mm x 32mm
**12044	100mm x 40mm
**12045	100mm x 50mm
**12061	150mm x 20mm
**12062	150mm x 25mm
**12063	150mm x 32mm
**12064	150mm x 40mm
**12065	150mm x 50mm
12086	200mm x 20mm
12087	200mm x 25mm
12089	200mm x 40mm
*12090	200mm x 50mm
12091	225mm x 20mm
12092	225mm x 25mm
12101	250mm x 20mm
12102	250mm x 25mm
*12105	250mm x 50mm
12121	300mm x 20mm
12122	300mm x 25mm
*12125	300mm x 50mm

\* Use reducing bushes to accommodate smaller off-takes

\*\* Standard with s/s bolts

Insulation may be required for Bi-Metallic contact

## Features and Benefits

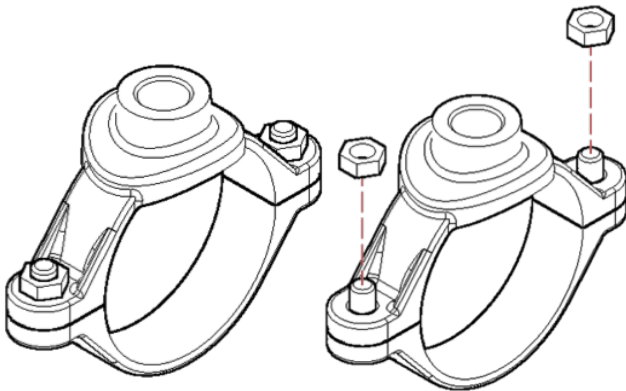
- Quality guaranteed Standards Marked product
- Standards marked - AS/NZS 4793
- Lip type seal AS1646
- Cast DR Gunmetal body
- Stainless steel (316) bolts
- Maximum operating pressure 1.9 MPa
- Ease of installation and reduced leakage due to its patented lip seal
- Long life performance, through its high quality components
- Light weight construction for ease of handling
- Type F Series 1
- Type R
- Coated
- Note: Maintenance type tapping bands also available. These are excluded from the current standard.

# TAPPING BANDS

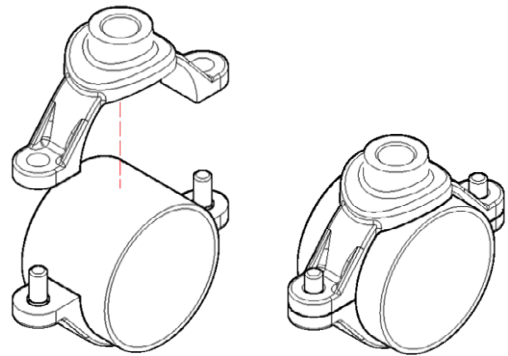
## Installation Instructions

RMC Tapping Bands are available for Type F Series 1 pipe up to size DN300 and Type R AC pipe up to size DN600.

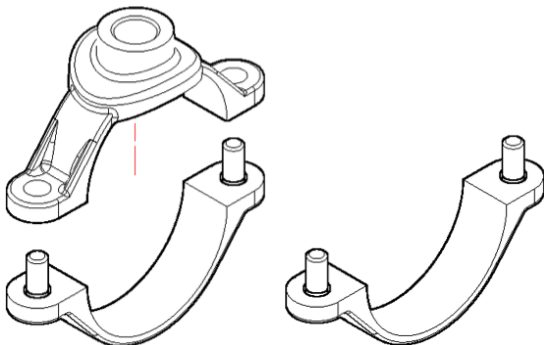
1. Undo and remove retaining nuts



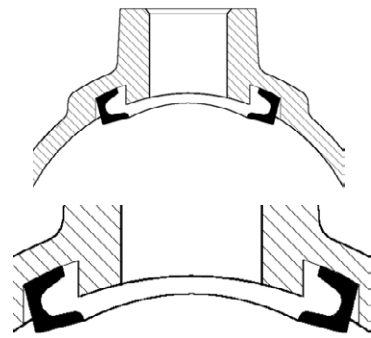
4. Place top half of Tapping Band over pipe.  
Locate bolt holes in top half into bolts in bottom half



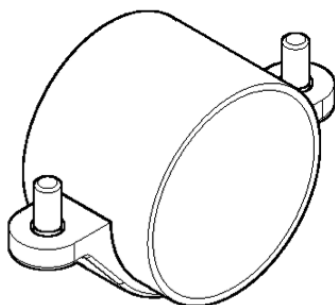
2. Remove top half and seal.  
Bolts are retained in bottom half by locating seals



5. Make sure seal is correctly located in top half, with curved lip sealing on pipe



3. Hold bottom half underneath pipe.  
Ensure pipe area is clean, smooth and free from damage or defects



6. Tighten nuts evenly, maximum tightening torque 10-15nm.  
Take care not to damage or distort pipe

