

SUB-METERING BRACKET



The Reliance sub-metering brackets have been developed to improve the quality and reduce the installation costs for sub-meter services.



KIT227EX



KIT227Q

Catalogue Numbers

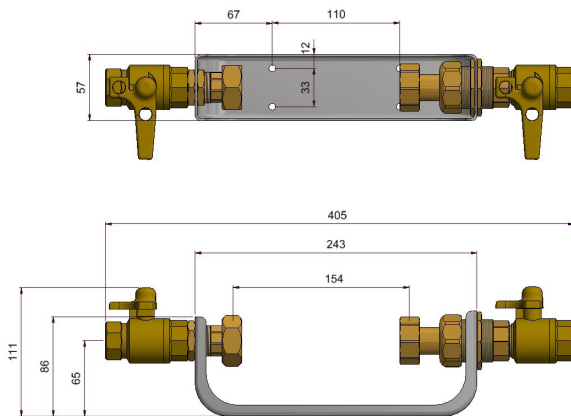
Description	Product Code
Submetering Bracket with extendable coupling	KIT227EX
Submetering Bracket QUU	KIT227Q
SharkBite PEX	KIT228
SharkBite Copper	KIT229
Copper Connection - NSW Thread	KIT232
Copper Connection - NSW Thread with spacer	KIT233

*Water meter sold separately

Features and Benefits

- Fully pre-assembled for fast installation
- Complies with Water Utility requirements
- Full DZR Brass components
- Lockable inlet ball valve
- Standard meter connection couplings
- Long service life components
- Reduced installation costs
- Fast service connection and meter installation/replacement
- Can be installed in vertical or horizontal positions

Dimensions - KIT227EX



Dimensions - KIT227Q

