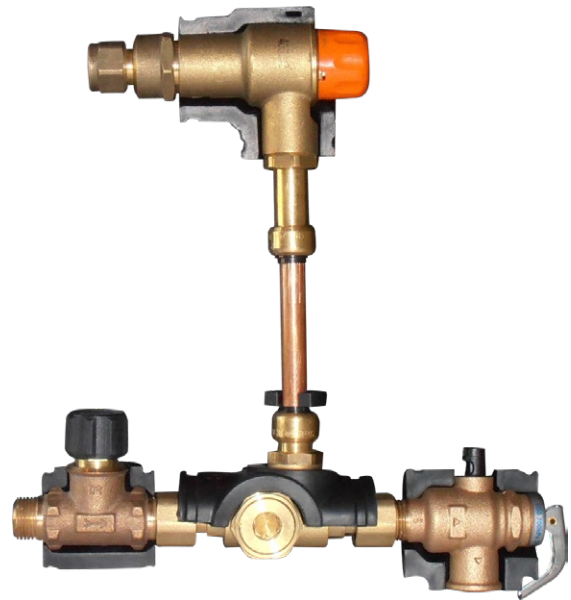


# SOLAR SLICK COMBO SET



RMC's Solar Slick Combo is a purpose built control valve set, designed to simplify the installation of solar water heaters.

Model	Catalogue Number
Solar Slick Combo Set, Insulated	MIX12015I



## Description

The Solar Slick Combo includes a high performance tempering valve, high temperature check valve, non-return valve, isolating valve and strainer, plus SharkBite® push-fit for the tempering valve cold water supply connection.

The Solar Slick Combo inlet control valves prevent backflow of water from the water heater to the mains line, protecting the mains supply from contamination and preventing the loss of water that has already been heated. The strainer protects the system from any dirt and impurities that may be in the water supply. The high performance tempering valve component mixes hot water with cold water to deliver tempered water at a constant temperature throughout the system, and is ideal for use in installations where there are fluctuations in supply conditions. Additionally, a high temperature check valve protects the system from any excess supply temperatures.

The Solar Slick Combo is supplied with insulation jackets fitted for each valve.

*NOTE: Expansion control valve not included.*

## Features and Benefits

- All inlet controls in one box
- High thermal endurance
- High-temperature Check Valve
- Protects downstream products from excess supply temperatures
- Fitted Insulation
- Quick, easy and neat mounting for Plumbing Code conformance
- SharkBite® Push-Fit
- Easy alignment and connection of the tempering valve's cold water supply
- High performance tempering valve
- Tempering valves are individually tested and calibrated
- Integrated strainer
- Dezincification resistant
- Meets Australian Standard for potable water supply
- All components are WaterMarked to their relevant Australian standards

## Materials

<b>Bodies</b>	Forged Brass or Cast Gunmetal
<b>Internal Components</b>	DZR Brass
<b>Internal Seals</b>	Viton or Nitrile
<b>Springs</b>	Stainless Steel
<b>Tempering Valve Piston</b>	Polysulfone
<b>Fittings</b>	DZR Brass
<b>Circlips</b>	Stainless Steel
<b>Face Seals</b>	EPDM
<b>Check Valve</b>	PPO



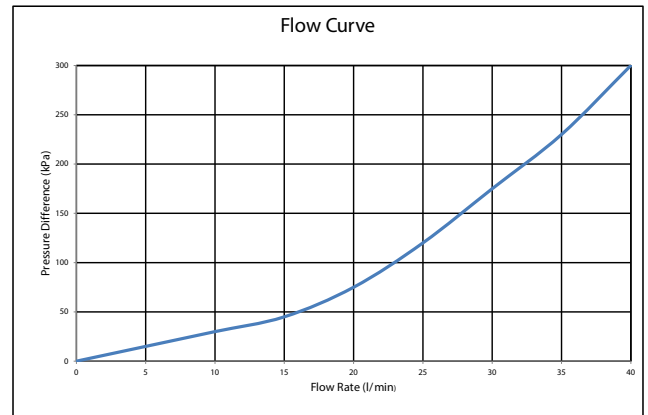
# SOLAR SLICK COMBO SET



## Performance Specifications

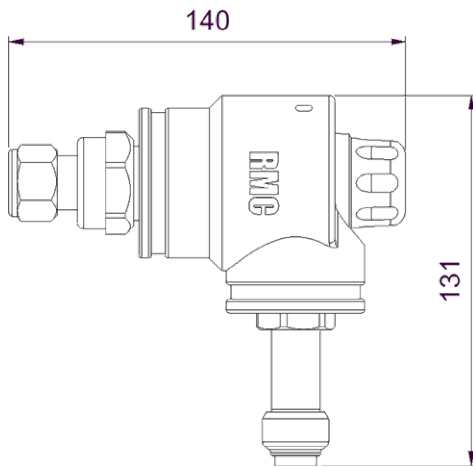
Hot Temperature Supply Range	60°C - 90°C
Cold Temperature Supply Range	5°C - 30°C
Maximum Supply Pressure	1600 kPa
Permitted Supply Pressure Variation	2:1 (max)
Operating Temperature Range	40°C - 50°C
Factory Set Temperature Range	47.5°C ± 2.5°C
Minimum Temperature Differential (between hot supply and outlet temperature)	10°C
Flow Rate, Minimum	4 L/min
Flow Rate, Maximum	40 L/min

## Flow Characteristics

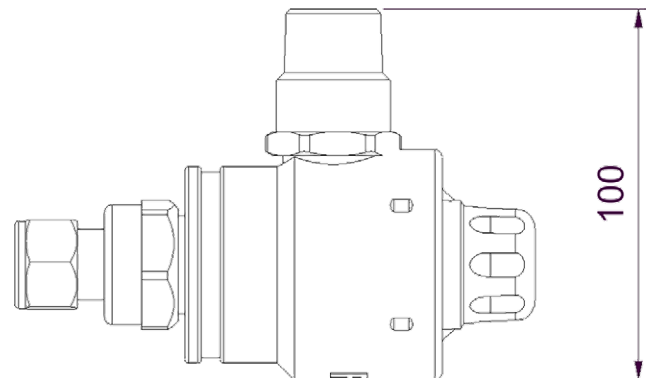


## Dimensions

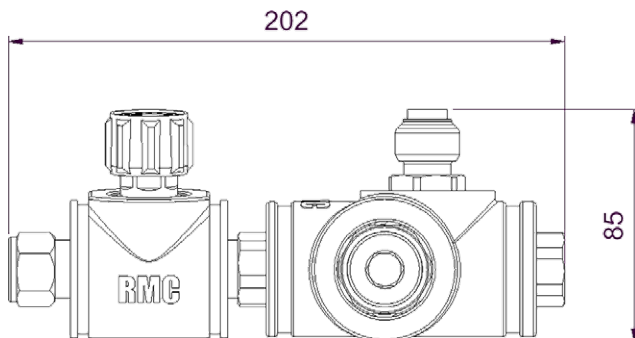
Mixing Valve



Mixing Valve - Reverse



Non Return Isolating Valve & Manifold



Non Return Isolating Valve & Manifold - Top

