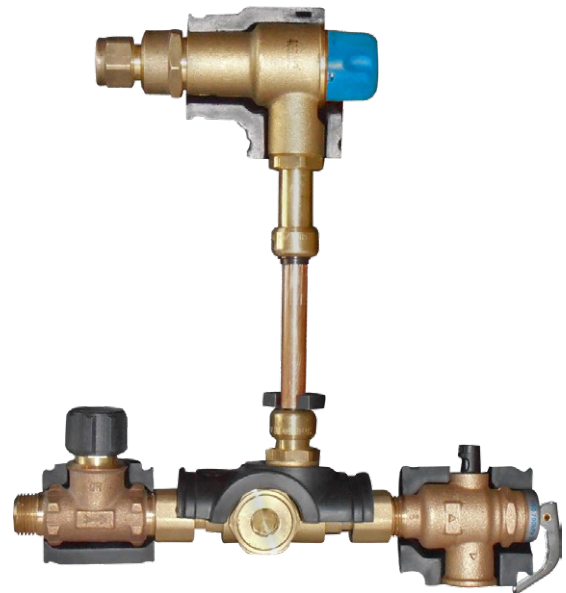


SLICK COMBO SET



RMC's Slick Combo is a purpose built control valve set, designed to simplify the installation of storage water heaters.



Model	Catalogue Number
Slick Combo Set Insulated	MIX12013I

Description

The Slick Combo includes a tempering valve, non-return valve, isolating valve and strainer, plus SharkBite® push-to-connect for the tempering valve cold water supply connection.

The Slick Combo inlet control valves prevent backflow of water from the water heater to the mains line. This protects the mains supply from contamination and the loss of water that has already been heated. The strainer protects the system from any debris and impurities that may be in the water supply. The tempering valve component mixes hot water with cold water to deliver tempered water at a constant temperature throughout the system.

The Slick Combo is supplied with insulation jackets fitted for each valve.

NOTE: Expansion control valve not included.

Features and Benefits

- All inlet controls in one box
- Fitted insulation
- Quick, easy and neat mounting for Plumbing Code conformance
- SharkBite™ push-to-connect
- Easy alignment and connection of tempering valve cold water supply
- Tempering valve individually tested and calibrated to ensure higher quality and performance
- Integrated strainer protects the system for longer service life
- Dezincification resistant
- Meets Australian Standard for potable water supply
- Suitable for use with either 15mm or 20mm connecting pipework

Materials

Bodies	Forged Brass or Cast Gunmetal
Internal Components	DZR Brass
Internal Seals	Viton or Nitrile
Springs	Stainless Steel
Tempering Valve Piston	Polysulfone
Fittings	DZR Brass
Circlips	Stainless Steel
Face Seals	EPDM



SLICK COMBO SET

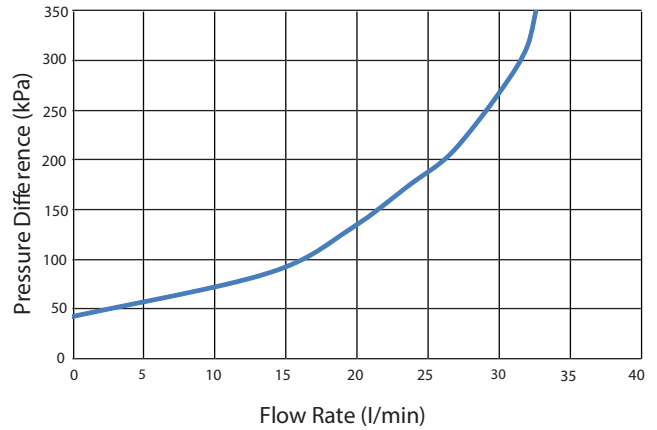


Technical Specifications

Hot Temperature Supply Range	60°C - 90°C
Cold Temperature Supply Range	5°C - 30°C
Maximum Supply Pressure	1600 kPa
Permitted Supply Pressure Variation	2:1 (max)
Operating Temperature Range	40°C - 50°C
Factory Set Temperature Range	Must be commissioned on site to achieve desired outlet temp
Minimum Temperature Differential (between hot supply and outlet temperature)	15°C
Flow Rate, Minimum	4 L/min
Flow Rate, Maximum	50 L/min

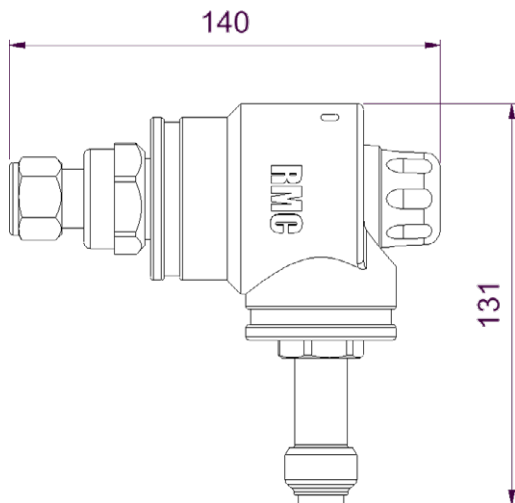
Flow Characteristics

MIX12012 - Flow Curve

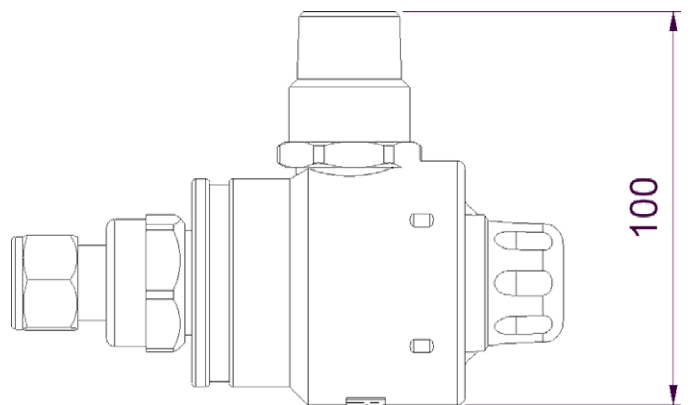


Dimensions All dimensions are shown in mm unless otherwise stated.

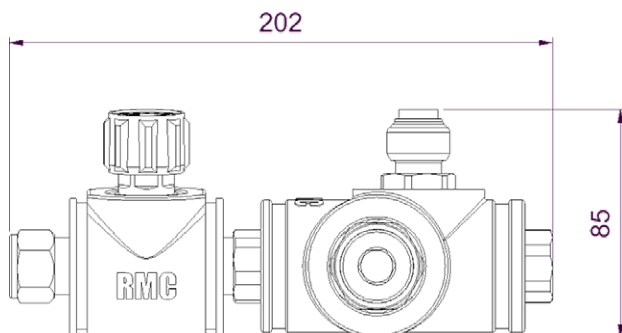
Mixing Valve



Mixing Valve - Reverse



Non Return Isolating Valve & Manifold



Non Return Isolating Valve & Manifold - Top

