

REDUCED PRESSURE ZONE DEVICE

The RMC/Flomatic Reduced Pressure Zone Device is designed to give maximum protection against backflow caused by either back siphonage or back pressure.



Model	Catalogue No. (Device Only)	Catalogue No. (Complete)	Complete with Lockable Ball Valve
15mm	SR001	SR001C	SR001C-L
20mm	SR002	SR002C	SR002C-L
25mm	SR003	SR003C	SR003C-L
32mm	SR004	SR004C	SR004C-L
40mm	SR005	SR005C	SR005C-L
50mm	SR006	SR006C	SR006C-L
65mm	SR007	SR007C	-
80mm	SR008	SR008C	-
100mm	SR009	SR009C	-
150mm	SR010	SR010C	-
200mm	SR011	SR011C	-

Description

The RMC / Flomatic Reduced Pressure Zone Device is an economical and durable device that is the easiest on the market to maintain in-line. It consists of two mechanically independent, spring loaded, center stem guided check valves. It also has a hydraulically dependent differential pressure relief valve with the sensing passage set in an integral cast and bronze body, with a single access cover. The assembly has three vertical test cocks and two shut off valves which are quarter-turn, full-port and resilient seated.

The relief valve has a removeable stainless steel seat ring. The check valves are held in place by stainless steel clips and the check valve assemblies are non-interchangeable with silicone discs.

Application

The Flomatic RPZD provides maximum protection to the potable water supply from contamination in high hazard applications such as cooling towers, abattoirs and sewage treatment plants.

Features and Benefits

- Maximum protection against back siphonage and back pressure
- Internal by-pass passage (no external plumbing)
- Designed for easy and quick in line maintenance and testing
- Low head loss
- Corrosion resistant
- Maximum working pressure of 1200kPa
- Operating temperature range of 1°C to 82°C up to 50mm BSP Threaded
- Operating temperature range of 1°C to 60°C from 65mm to 200mm Flanged Table E
- Approved to AS 2845-1

Materials

	15mm - 50mm	65mm - 200mm
Valve Body	Bronze	Ductile Iron
Access Cover	Bronze	Ductile Iron
Polymers	Noryl™, NSF Listed	Noryl™, NSF Listed
Elastomers	Silicone	Silicone, Buna-n (FDA approved)
Springs	Stainless Steel	Stainless Steel
Coating	-	FDA approved fusion epoxy

REDUCED PRESSURE ZONE DEVICE

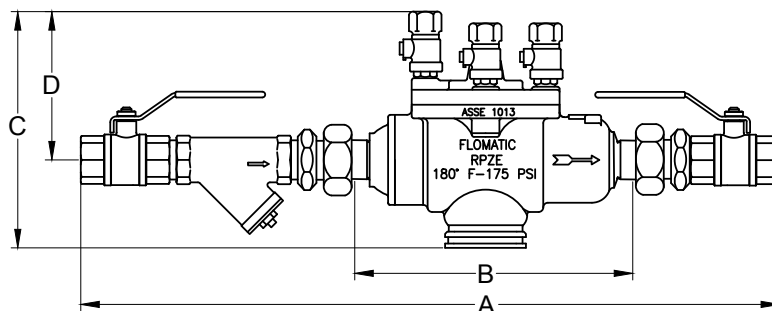
Technical Specifications

	15mm - 50mm	65mm - 200mm
Maximum working pressure:	1200kPa	1200kPa
Maximum working temperature:	82°C	60°C
Hydrostatic test pressure:	2400kPa	2400kPa
Pipe connection:	BSP Threaded	Table E AS2129 Flanged

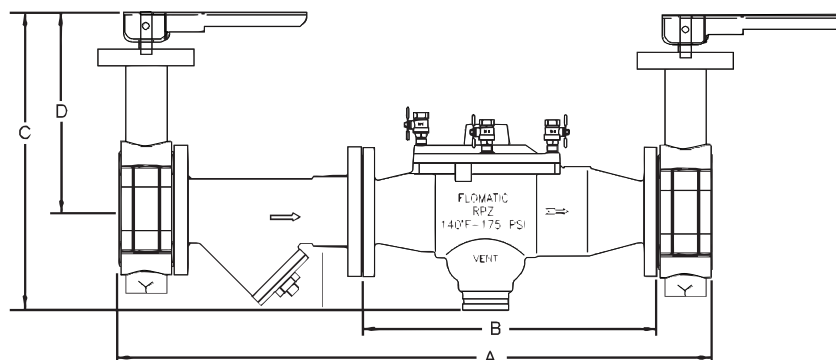
Dimensions

Size	Part #	A	B	C	D	Width	Wgt with BV	Wgt less BV
mm	-	mm	mm	mm	mm	mm	kg	kg
15	SR001C	400	142	140	85	85	2.5	1.5
20	SR002C	430	142	140	85	85	3	1.4
25	SR003C	530	210	155	95	110	5.6	3.3
32	SR004C	620	225	180	95	120	7.8	4.3
40	SR005C	730	315	230	115	150	14.4	10.3
50	SR006C	810	315	220	117	150	15.5	10

Note: Lockable assembly has same dimensions.



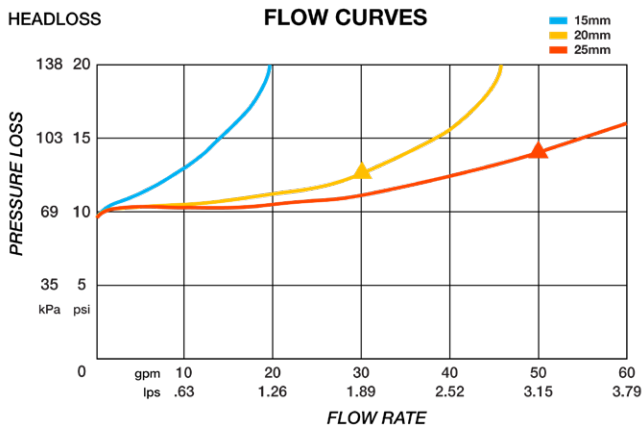
Size	Part #	A	B	C	D	Width	Wgt with BV	Wgt less BV
mm	-	mm	mm	mm	mm	mm	kg	kg
65	SR007C	790	413	300	168	204	74.5	27
80	SR008C	815	415	300	170	210	54.6	27.5
100	SR009C	1000	535	460	190	270	142.5	54.5
150	SR010C	1190	600	480	221	330	156.5	84
200	SR011C	1415	749	535	283	390	276	136



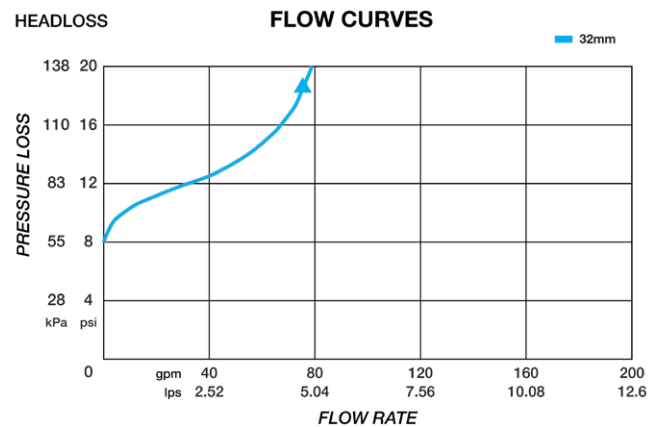
REDUCED PRESSURE ZONE DEVICE

Flow Characteristics

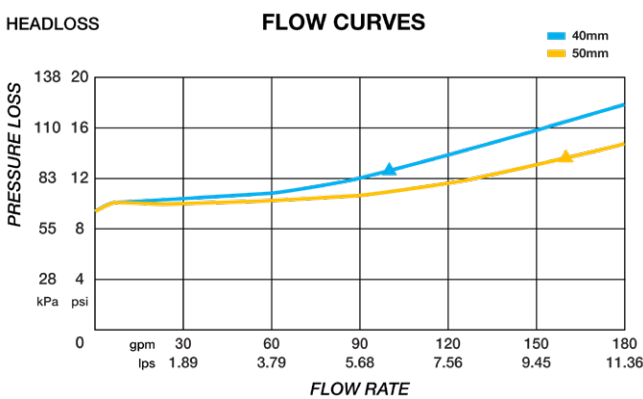
15-25mm MODEL RPZD



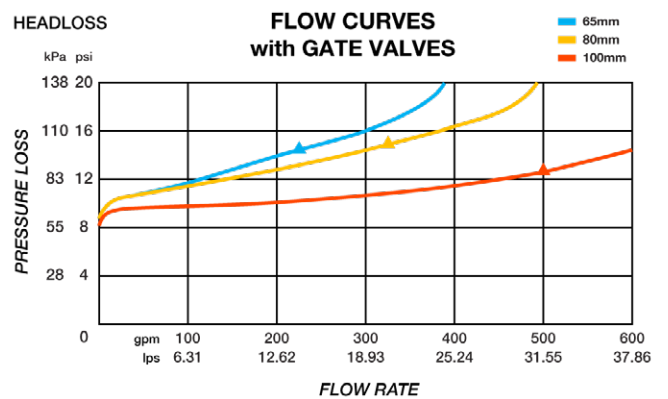
32mm MODEL RPZD



40-50mm MODEL RPZD



65-100mm MODEL RPZD



150-200mm MODEL RPZD

