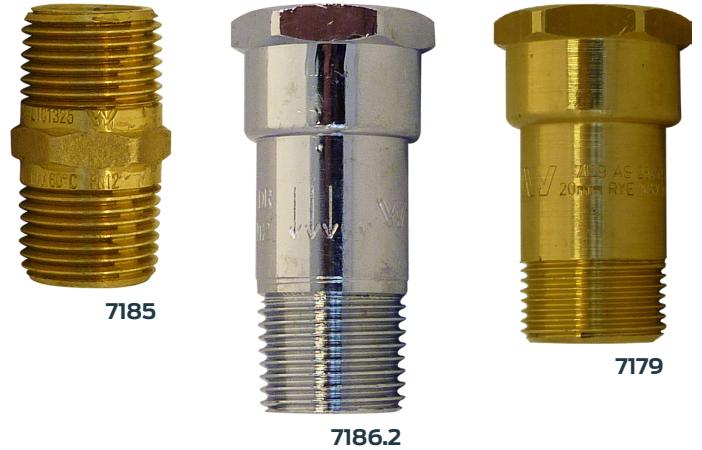


Mini Dual Check Valve

Scope of Use/Specification Sheet

The Mini Dual Check Valve is designed to prevent cross connections of non potable water into safe drinking water systems. The device is compact, economical, and easy to install both horizontally and vertically. It comprises of two independently acting, internally loaded check valves in series.



Product Code

| Model | Catalogue Number |
|-------------------|------------------|
| M x M 15mm | 7185 |
| M x M 15mm chrome | 7185.2 |
| M x F 15mm | 7186 |
| M x F 15mm chrome | 7186.2 |
| M x F 20mm | 7179 |
| M x F 20mm chrome | 7179.2 |

Materials

| | |
|-----------------|---------------------------------|
| Body and covers | DR brass or chrome plate finish |
| Springs | Stainless steel |

Features and benefits

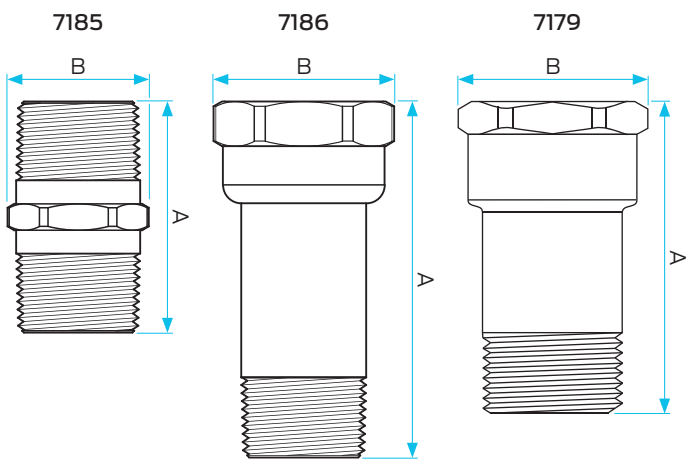
- Protects against back pressure and back siphonage
- Suitable for low hazard applications
- Compact and lightweight
- Corrosion resistant
- Independently operating check valves
- Maximum working pressure of 1200kPa
- Operating temperature range of 1°C to 60°C
- Suitable for vertical and horizontal installations
- Choice of brass or chrome plated finish
- Approved to AS 2845.1

Mini Dual Check Valve

Dimensions

| Model | Length (A) | Height (B) |
|-------|------------|------------|
| 7185 | 41 | 22 |
| 7186 | 56 | 25 |
| 7179 | 59 | 32 |

Note: All measurements in mm unless otherwise stated.



Standards and Approvals

AS 2845.1

Performance Specifications

| Size | 7185 | 7186 | 7179 |
|--------------------------|----------|------------|------------|
| Inlet | Male BSP | Female BSP | Female BSP |
| Outlet | Male BSP | Male BSP | Male BSP |
| Rated flow | 0.15L/s | 0.15L/s | 0.32L/s |
| Maximum working pressure | 1200kPa | 1200kPa | 1200kPa |
| Maximum temperature | 60°C | 60°C | 60°C |
| Maximum pressure loss | 50kPa | 50kPa | 50kPa |

Application

The Mini Dual Check Valve provides protection to the potable water supply from contamination in low hazard applications such as water filters and laboratory sinks.

Installation

Installation is subject to the requirements of the applicable regulatory authority, the National Construction Code Volume Three – Plumbing Code of Australia, associated reference standards as applicable at the time and AS/NZS 3500.1.