

Dual Check Valve

Scope of Use/Specification Sheet

The RMC Dual Check Valve is designed to prevent cross connection of non-potable water into safe drinking water systems.



7181/7182

Product Code	
Model	Catalogue Number
F x F 20mm	7181
F x F 25mm	7182
M x F 20mm	7171
M x F 25mm	7172

Materials	
Body and covers	DR Brass
Springs	Stainless Steel

Description

The Dual Check Valve is compact, economical, and easy to install both horizontally and vertically. Each device comprises of two independently acting, internally loaded check valves in series. The valve is a low hazard, non-testable device.

Features and Benefits

- Protects against back pressure and back siphonage
- Suitable for low hazard applications
- Compact and lightweight
- Corrosion resistant
- Independently operating check valves
- Allowable operating pressure of 1600kPa
- Operating temperature range of 1°C to 60°C
- Suitable for vertical and horizontal installations
- Approved to AS/NZS 2845.1:2010

Application

The Dual Check Valve provides protection to the potable water supply from contamination in low hazard applications like meter connections on domestic properties.

Dual Check Valve

Performance Specifications

	7181	7182	7171	7172
Inlet	Rp 3/4" Female BSP	Rp 1" Female BSP	Rp 3/4" Female BSP	Rp 1" Female BSP
Outlet	Rp 3/4" Female BSP	Rp 1" Female BSP	R 3/4" Female BSP	R 1" Male BSP
Maximum Operating Temperature (MOP)	60°C	60°C	60°C	60°C
Allowable Operating Pressure (AOP)	1600kPa	1600kPa	1600kPa	1600kPa
Maximum Allowable Operating Pressure (MAOP)	1920kPa	1920kPa	1920kPa	1920kPa
Allowable Site Test Pressure (ASTP)	2000kPa	2000kPa	2000kPa	2000kPa

Dimensions

Model	Length (A)		Height (B)	
	20mm	25mm	20mm	25mm
7181	91	92	46	46
7182	91	92	46	46
7171	103	103	59	59
7172	103	103	59	59

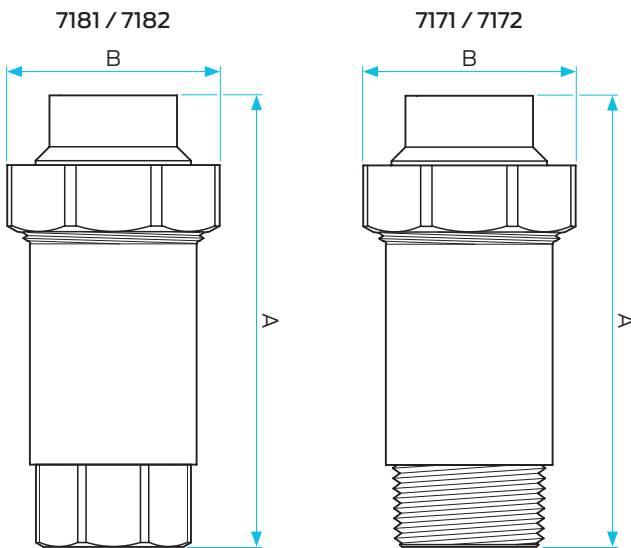
Installation

Installation is subject to the requirements of the applicable regulatory authority, the National Construction Code Volume Three – Plumbing Code of Australia, associated reference standards as applicable at the time and AS/NZS 3500.1.

Standards and Approvals



AS/NZS 2845.1
WMKA1325



Note: All measurements in mm unless otherwise stated.