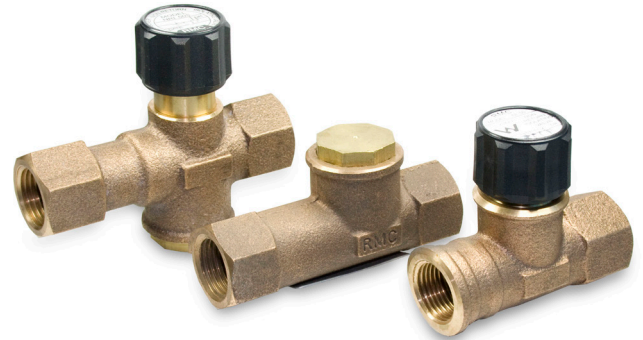


Combination Non-Return Isolating Valve

Scope of Use/Specification Sheet

The Combination Non-Return Isolating Valve combines the mandatory functions of an isolating valve and non-return valve for the installation of pressurised water heaters.



Product Code

Model	Catalogue Number	
15mm F BSP	NI50 Duo Valve	NI501
15mm Int Flare	NI50-A Duo Valve	NIA501
15mm M Comp	NI50-C Duo Valve*	NIC501
15mm F BSP	NR50-S Non-Return with Strainer	NRS501
15mm F BSP	NRI501-S Trio	NRIS501
20mm F BSP	NI75 Duo Valve	NI701
20mm Int Flare	NI75-A Duo Valve	NI703

*(Inc. nuts, copper and nylon olives)

Materials

Body	Cast gunmetal
Springs	Stainless steel
O-Rings/Seals	Nitrile
Internal Components	DZR brass/ultem
Strainer	Stainless steel

Application

Combination Non-Return Isolating Valves are suitable for use on water heater systems or wherever both non-return and isolating functions are required. RMC recommends installing a Combination Non-Return Isolating Valve as part of a complete inlet control system for water heater applications.



Features and Benefits

- Integral construction of non-return valve and isolating valve
- One piece unit for tidy, simple and economical installation
- No intermediate joins or fittings, reducing the opportunity for leaks and faults
- Tamper-proof non-return valve
- NRI50S 15mm Trio Valve model features integral line strainer for even simpler installation
- Dezincification resistant
- Meets Australian Standard for potable water supply
- Valve designed to work effectively in vertical or horizontal orientation

Description

The RMC Combination Non-Return Isolating Valve provides isolation and prevents the backflow of water from a water heater to the mains line. The device serves the dual purpose of protecting the mains supply from contamination and preventing the loss of water that has already been heated. The isolating valve component is useful as a means of controlling inlet water supply to unvented storage water heaters.

RMC Combination Non-Return Isolating Valve is available in 15mm and 20mm configurations.

Combination Non-Return Isolating Valve

Performance Specifications

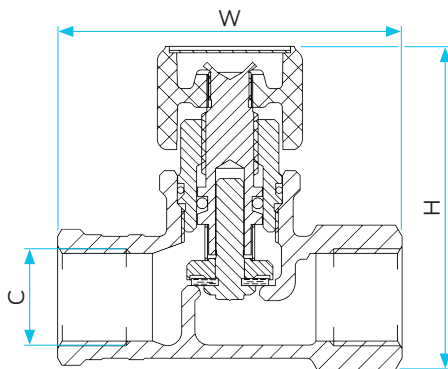
Model	Size/Connection	Max. Temperature	Max. Inlet Pressure	Non-Return	Isolating	Line Strainer
NI150 Duo Valve	DN15 Female	40°C	1400kPa	✓	✓	
NI50-A Duo Valve	DN15 Internal Flare	40°C	1400kPa	✓	✓	
NI50-C Duo Valve	DN15 Compression	40°C	1400kPa	✓	✓	
NI75 Duo Valve	DN20 Female	40°C	1400kPa	✓	✓	
NI75-A Duo Valve	DN20 Internal Flare	40°C	1400kPa	✓	✓	
NR50-S with Strainer	DN15 Female	40°C	1400kPa	✓		✓
NRI50-S Trio Valve	DN15 Female	40°C	1400kPa	✓	✓	✓

Dimensions

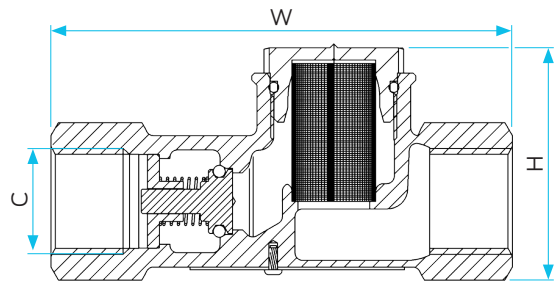
Model	Connection (C)	Width (W)	Height (H)
NI50	G½ Female	74	72
NI50-A	DN15Cn INT Flare	86	72
NI50-C	DN15Cn	102	72
NI75	G¾ Female	80	85
NI75-A	DN20Cn INT Flare	97	85
NR50-S	G½ Female	95	47
NRI50-S	G½ Female	95	83

Note: All measurements in mm unless otherwise stated.

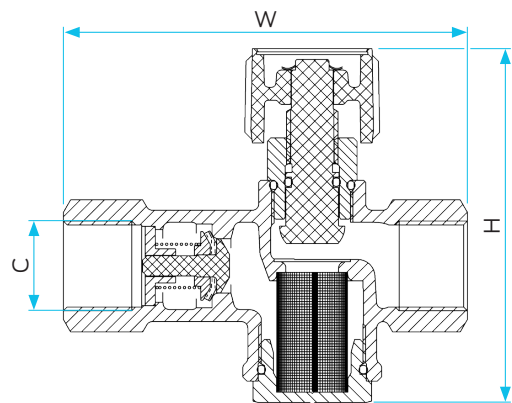
NI50 / NI50-A / NI50-C / NI75 / NI75-A



NR50-S



NRI50-S



Standards and Approvals



AS 1357.1/2
WMKA21984

Installation

Installation is subject to the requirements of the applicable regulatory authority, the National Construction Code Volume Three – Plumbing Code of Australia, associated reference standards as applicable at the time and AS/NZS 3500.1.