

# PS RANGE PRESSURE LIMITING VALVES

**RMC** water valves

RMC's PS Pressure Limiting Valves regulate inlet supply line pressure to a preset maximum.

## Catalogue Numbers

	Catalogue Number		
Model	350 kPa	500 kPa	600 kPa
PS50 Female BSP	PS501	PS502	PS503
PS50-C Compression	PSC501	PSC502	PSC503
PS75 Female BSP	PS701	PS702	PS703
PS100 Female BSP	PS1001	PS1002	PS1003



## Description

PS Pressure Limiting Valves are ideal for use with high pressure storage water heaters, water meter assemblies, water softeners etc. RMC's PS Pressure Limiting Valves are of a T-shaped design. PS Pressure Limiting Valves are available in 15mm, 20mm and 25mm configurations.

## Application

RMC PS Pressure Limiting Valves are suitable for use to limit supply pressure below the set pressure of the expansion control valve and/or pressure and temperature relief valve on a high pressure storage water heater. The PS range of valves can be used interchangeably with the PSL range.

## Materials

<b>Body</b>	Cast Gunmetal / Brass
<b>Internal Parts</b>	Brass and Stainless Steel
<b>Seat Disc</b>	Silicone
<b>Pressure Spring</b>	Stainless Steel
<b>Piston</b>	Acetal / Brass

## Features and Benefits

- High pressure and temperature tolerances
- Suitable for a wide variety of pressure limiting applications
- Dezincification resistant
- Meets Australian Standard for potable water supply
- Suitable for horizontal or vertical installation
- Valve designed to work effectively in either orientation
- Available in fixed outlet pressure settings of 350kPa, 500kPa and 600kPa

## Notes

This valve is of a piston based design and needs a vent hole to ensure operation. If this valve is exposed to high inlet pressures (e.g. Poor water conditions or under water hammer conditions), damage to the valve can result in water leaking through the vent hole. This hole should not be covered or filled in any way to prevent malfunction of this valve. It is recommended to not install this valve in enclosed spaces for this reason.



Uniquely Australian

# PS RANGE PRESSURE LIMITING VALVES



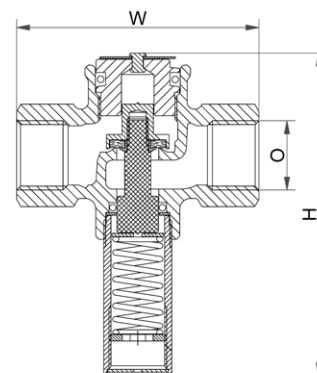
## Technical Specifications

Model	DN Size	Inlet / Outlet Fittings	Standard Pressure Settings Available (kPa)	Maximum Inlet Pressure	Maximum Temperature
PS50C	15	Compression	350, 500, 600	1400 kPa	40°C
PS50	15	BSP (F.I)	350, 500, 600	1400 kPa	40°C
PS75	20	BSP (F.I)	350, 500, 600	1400 kPa	40°C
PS100	25	BSP (F.I)	350, 500, 600	1400 kPa	40°C

## Dimensions

Model	Width (W)	Height (H)	Connection (O)
PS50	74	98	G½ Internal (BSP)
PS50-C	80	98	G½ Flared Compression (BSP)
PS75	80	114	G¾ Internal (BSP)
PS100	103	94	G1 Internal (BSP)

NB: All dimensions in millimetres unless otherwise stated.



## Flow Rates

Nominal Diameter	Flow Rate for 350 kPa Set Pressure
15mm	45 L/min @ 700 kPa inlet
20mm	80 L/min @ 700 kPa inlet
25mm	150 L/min @ 700 kPa inlet

## Colour Code

Pressure Setting	Rating Plate Colour
350 kPa	Yellow print and text
500 kPa	Black print and text
600 kPa	Blue print and text