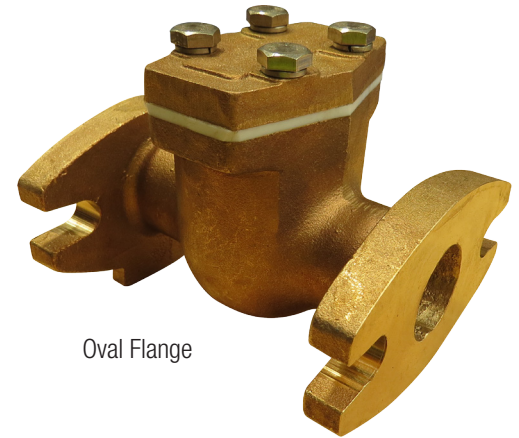


METER DIRT BOXES

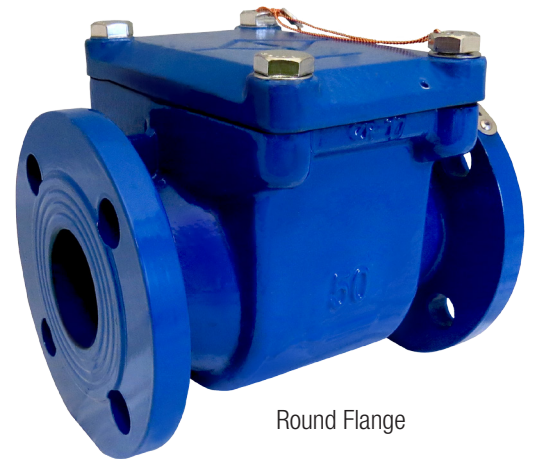


The Reliance Meter Dirt Boxes protect downstream lines from congestion from dirt and debris.

Large suspended particles and fibrous contamination in the water can impact the measuring characteristics of Woltman meters and can deposit in the bearings. The dirt filter can filter particles down to 5mm from the water and reliably protect the meters that are downstream.



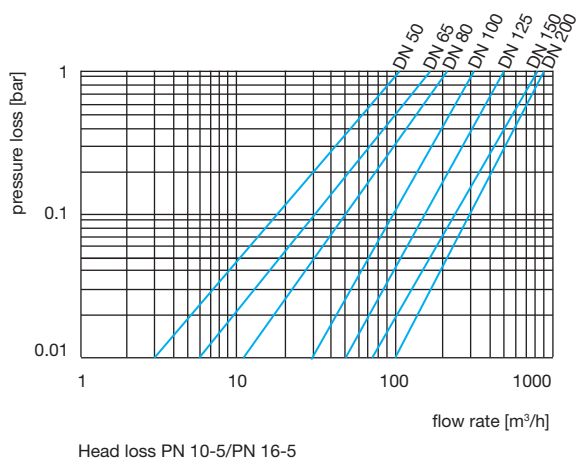
Oval Flange



Round Flange

Catalogue Numbers

Model	Catalogue Number
Oval flanges	
Oval flanges 32mm length 135mm	1N108
Oval flanges 40mm length 120mm	1N109
Round flanged	
Round flanged 50mm length 200mm	1N114
Round flanged 80mm length 225mm	1N111
Round flanged 100mm length 250mm	1N112
Round flanged 150mm length 300mm	1N113



Features and Benefits

- No contamination of the piping by particles
- Additional protection for a following water meter
- Easy to maintain through removable insert
- Operating pressure 16 bar
- Application for cold water up to 50°C

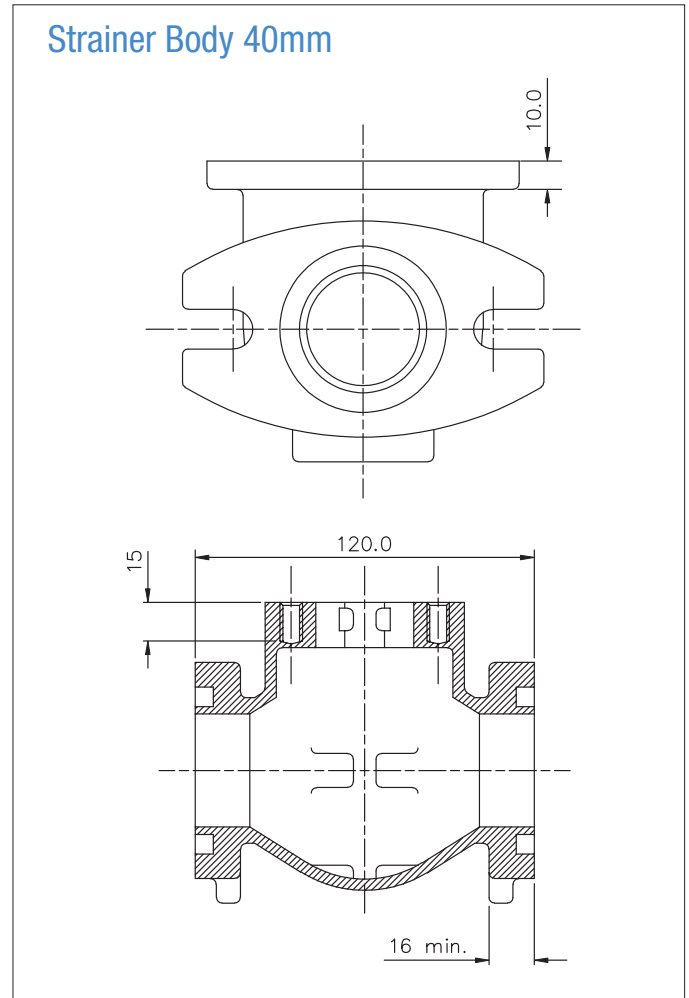
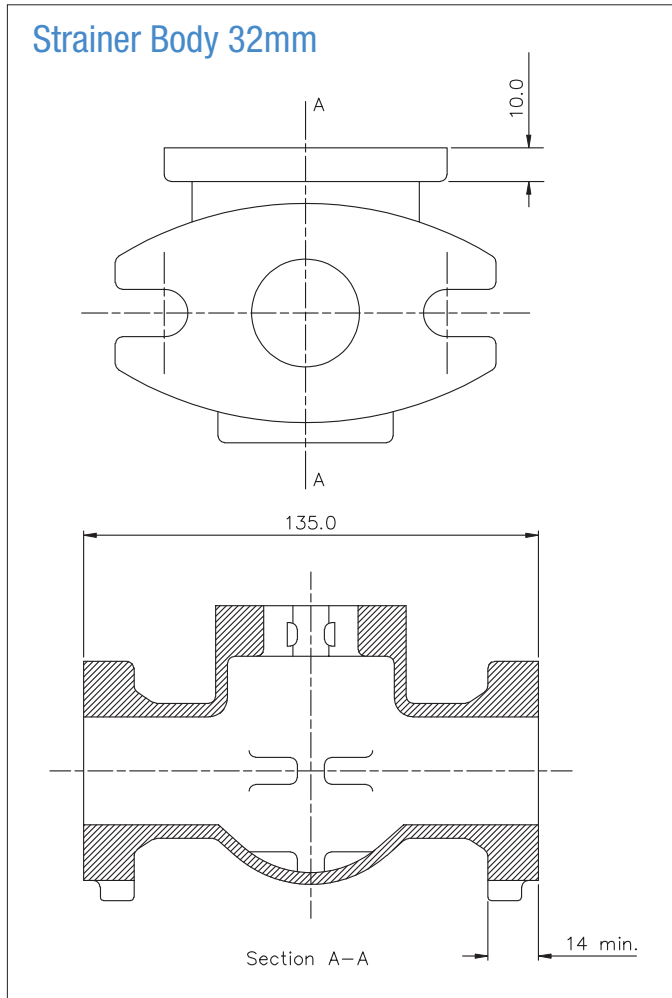


Uniquely Australian

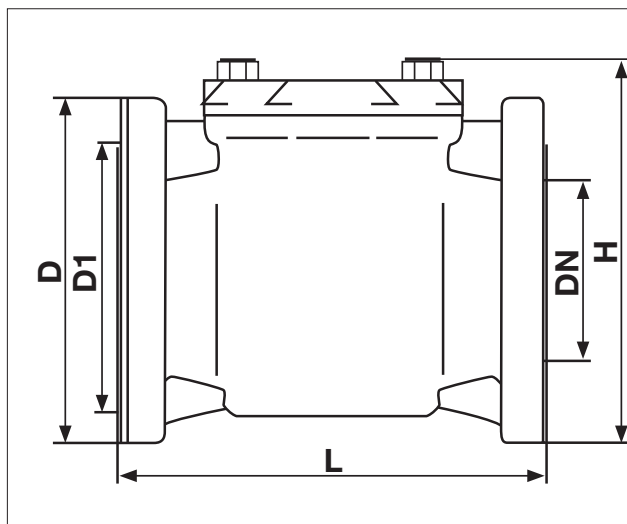
METER DIRT BOXES



Oval Flange Dimensions



Round Flange Dimensions



Technical data T-Filter

Dominal diameter	DN	mm	50	80	100	150
Overall length	L	mm	200	225	250	300
Height	H	mm	176	224	234	277
Flange diameter	D	mm	165	200	220	285
Bolt circle diameter	D1	mm	125	160	180	240
Number of bolts		mm	4	4	4	8
Bolt diameter		mm	19	19	19	23
Weight		kg	12	15	17	35