

# ENDURANCE MULTIJET TURBINE METER

**RMC** water valves

The Reliance Endurance Multijet Turbine Meter is a robust device for use by water authorities operating water supply networks on a user pays basis.

Model	Catalogue Number
20mm DC Meter Thread	WM273MRP
20mm DC NSW Thread	WM274MRP
20mm DC BSP Thread	WM275MRP
25mm DC NSW Thread	WM270MRP
25mm DC Meter Thread	WM271MRP
25mm DC BSP Thread	WM272MRP

*Reed Switch WM598 required for pulse output*



## Description

The Reliance Endurance Multijet Turbine Meter is of a robust design that ensures long term meter accuracy. The meter is pulse capable. Through its low friction mechanism and higher mechanical durability, the meter features an extended service life.

The Reliance Endurance Multijet Turbine Meter is available in 20mm to 25mm configurations. Meters are NMI Approved.

## Application

The Reliance Endurance Multijet Turbine Water Meter is a water meter suited for internal and external use. The product is certified for use in the horizontal plane, with the dial facing upwards. Flow direction is indicated by the arrow on the meter body and must be observed during installation. For ease of servicing it is recommended that an isolating valve be installed before the meter.

*Cold water application only*

## Materials

Body/H Ring	DZR Brass
Reading Face	Polycarbonate
Counter Mechanism	Polystyrol
Check Valve	Acetal

## Features and Benefits

- WaterMarked AS3565.1
- Encapsulated reading face prevents fogging and discolouration from trapped particulate in the metered water supply
- Low friction mechanism
- Higher mechanical durability and inherent resistance to choking as a result of large port clearances
- Long term meter accuracy
- Essential for maintaining charging equity
- Economical metering option
- Extended service life provides significant long term cost savings for Water Authorities
- Direct drive mechanism
- No magnetic coupling protects device from magnetic interference
- Pulse capable
- Optional reed switch allows remote reading without breaking the meter seal
- Internal non-return valve and strainer
- Metrological Certification - NMI Approval



# ENDURANCE MULTIJET TURBINE METER

# RMC

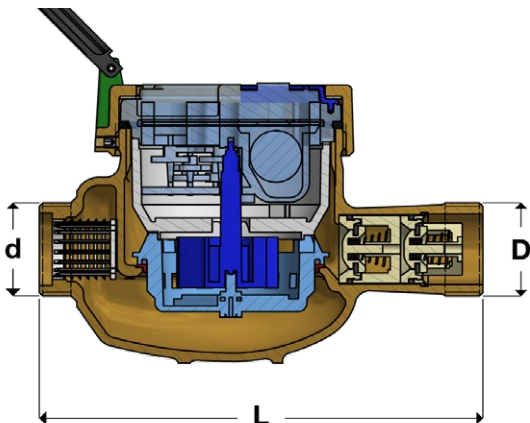
# water valves

## Performance Specifications

	DN20	DN25
Overload Flow Rate (Q4)	5kL/h	7.9kL/h
Permanent Flow Rate (Q3)	4kL/h	6.3kL/h
Transition Flow Rate (Q2)	32L/h	64L/h
Minimum Flow Rate (Q1)	20L/h	40L/h
Minimum Registration Flow Rate	5L/h	7L/h
Pressure Loss	70kPa @ 2.5kL/h	73kPa @ 3.5kL/h
Strainer	Total area: 1395mm <sup>2</sup> Hole size: 2.0 x 2.0mm	Total area: 2200mm <sup>2</sup> Hole size: 2.0 x 2.0mm
Accuracy	Q1 to Q2 Q2 to Q4	±5% ±2%
<b>BELOW SPECIFICATIONS APPLY TO BOTH SIZES</b>		
Meter Type	Multijet	
Drive Type	Direct, not susceptible to magnetic interference	
Register Type	Roller-Protected Counter / Maximum Reading: 99,999kL / Minimum Reading: 0.5L / Leak Detection: Wheel	
Indicator Type	Digital Indicators (Black) = kilolitres / Pointer Wheels (Red) = sub-multiples	
Pulse Output Option	1 pulse per 10L	
Maximum Working Pressure	1400kPa	
Integral Non-Return Valve	Yes (Dual check valve to AS2845.1)	
Max. Working Temperature (AS3565.1)	30°C	
Max. Operating Temperature (AS3565.1)	50°C	

## Dimensions

Nominal Diameter	DN20		DN25	
	Meter	NSW	Meter	NSW
Body Thread (D)	Meter	NSW	Meter	NSW
Body Length in mm (L)	154	152	178	173
Connector Thread (d)	R¾		R1	
Width in mm	90		105	
Weight in kg (without connectors)	1.4		1.8	
Weight in kg (with connectors)	1.9		2.5	



## Flow Characteristics

