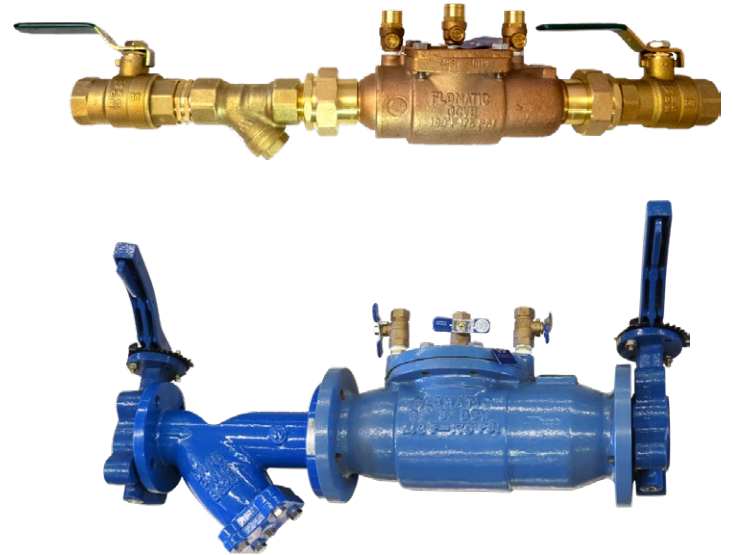


# DOUBLE CHECK VALVES

The RMC/Flomatic Double Check Valve is designed to give protection against medium hazard backflow situations.



Size	Device Only	Complete	Complete with Lockable Ball Valve
20mm	SD002	SD002C	SD002C-L
25mm	SD003	SD003C	SD003C-L
32mm	SD004	SD004C	SD004C-L
40mm	SD005	SD005C	SD005C-L
50mm	SD006	SD006C	SD006C-L
65mm	SD007	SD007C	-
80mm	SD008	SD008C	-
100mm	SD009	SD009C	-
150mm	SD010	SD010C	-
200mm	SD011	SD011C	-

## Description

The device features two mechanically independent, spring loaded, center stem, guided check valves. The device has a cast and bronze body, with a single access cover. The assembly has three vertical test cocks and two shut off valves which are quarter-turn, full port and resilient seated.

The seat of each check valve is constructed from Noryl™ and is replaceable. The check valves are held in place by stainless steel clips and the check valve assemblies are non-interchangeable with silicone discs.

## Application

The Flomatic Double Check Valve provides protection to the potable water supply from contamination in medium hazard applications such as industrial, commercial and medical equipment. Installation can be in horizontal and vertical position.

## Materials

	20mm - 50mm	65mm - 200mm
<b>Valve Body</b>	Bronze	Ductile Iron
<b>Access Cover</b>	Bronze	Ductile Iron
<b>Polymers</b>	Noryl™, NSF Listed	Noryl™, NSF Listed
<b>Elastomers</b>	Silicone	Silicone, Buna-n (FDA approved)
<b>Springs</b>	Stainless Steel	Stainless Steel
<b>Coating</b>	-	FDA approved fusion epoxy

## Features and Benefits

- Corrosion resistant
- Designed for easy and quick in line maintenance and testing
- Low head loss
- Interchangeable poppet and spring
- Maximum working pressure of 1200kPa
- Operating temperature range of 1°C to 82°C up to 50mm BSP Threaded
- Operating temperature range of 1°C to 60°C from 65mm to 200mm Flanged Table E
- Approved to AS 2845-1



# DOUBLE CHECK VALVES

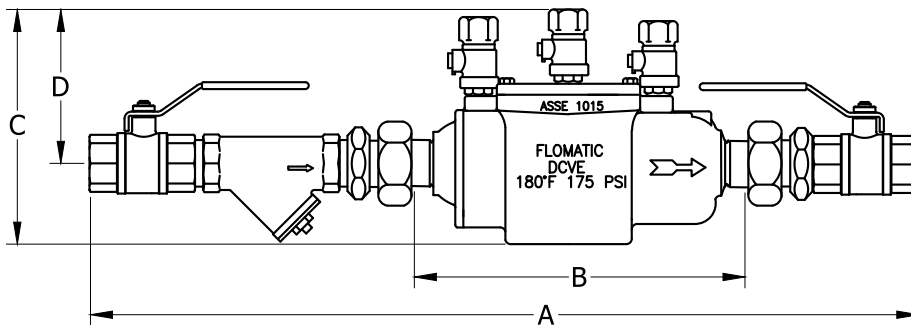
## Technical Specifications

	20mm - 50mm	65mm - 200mm
Maximum working pressure	1200kPa	1200kPa
Maximum working temperature	82°C	60°C
Hydrostatic test pressure	2400kPa	2400kPa
Pipe connection	BSP Thread	Table E AS2129 Flanged

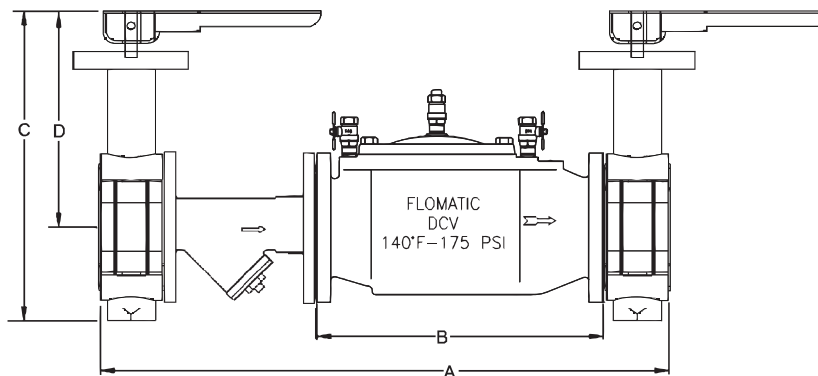
## Dimensions

Size	Part #	A	B	C	D	Width	Wgt with BV	Wgt less BV
mm	-	mm	mm	mm	mm	mm	kg	kg
20	SD002C	490	205	120	85	85	3.9	2.5
25	SD003C	540	205	120	85	85	4.8	2.6
32	SD004C	625	230	125	85	85	6.6	3.2
40	SD005C	730	315	170	115	120	12.9	8.3
50	SD006C	810	315	200	120	130	14.6	8.3

Note: Lockable assembly has same dimensions.



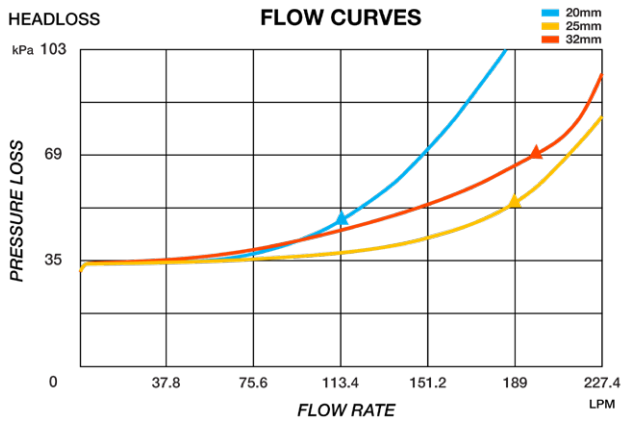
Size	Part #	A	B	C	D	Width	Wgt with BV	Wgt less BV
mm	-	mm	mm	mm	mm	mm	kg	kg
65	SD007C	830	450	251	184	200	47.3	22.75
80	SD008C	850	450	263	191	200	51	22.75
100	SD009C	990	535	305	210	250	131.75	45.5
150	SD010C	1125	535	360	235	310	138.5	66.75
200	SD011C	1363	699	423	273	350	269	129.5



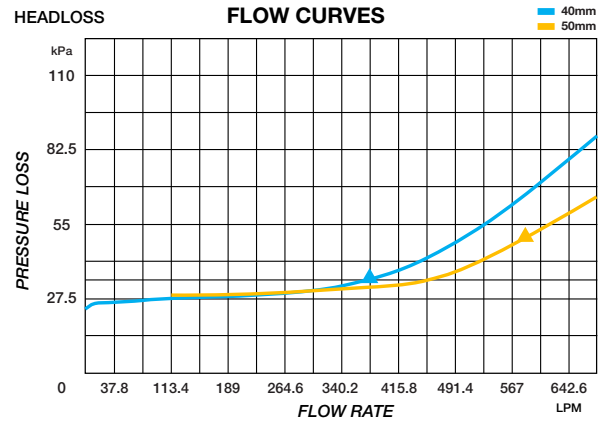
# DOUBLE CHECK VALVES

## Flow Characteristics

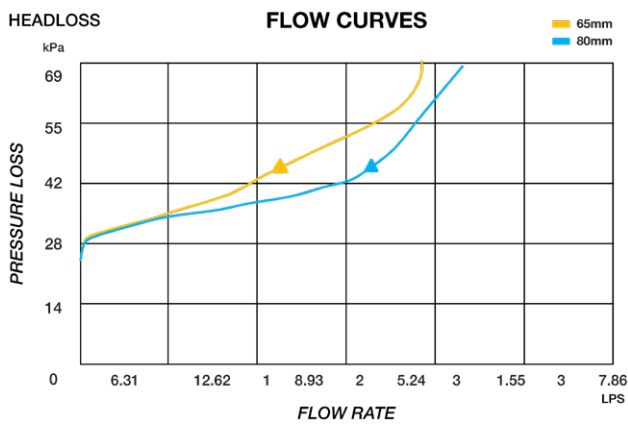
20-32mm MODEL DCV



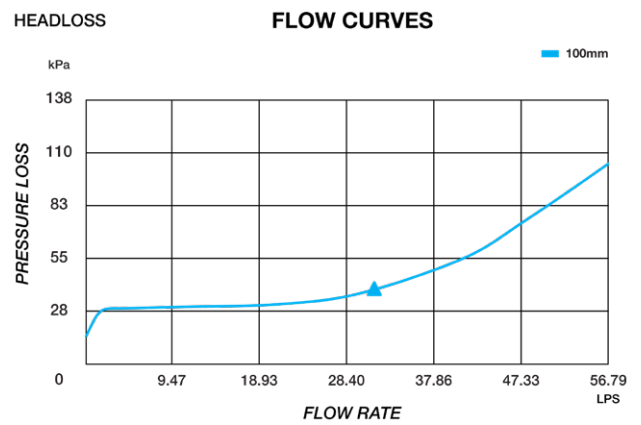
40-50mm MODEL DCV



65-80mm MODEL DCV



100mm MODEL DCV



150-200mm MODEL DCV

