

BACKFLOW PREVENTION REPAIR KITS

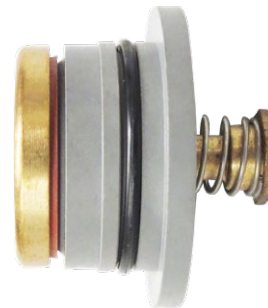
The Flomatic® Backflow Prevention Repair Kits offer top performance and reliable parts. The repair kits provide easy and economical servicing. The single top plate entry cover allows quick access to the side entry checks and RPZ relief.



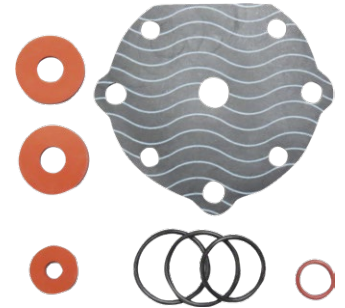
89880P9



89878P9



89879P9



B93RK99

Description

The Flomatic Backflow Repair Kits are listed as:

RPZ 1st Check assembly, 2nd check Assembly, Relief Assembly kit, and Rubber service kit

DCV 1st Check assembly, 2nd check Assembly and Rubber service kit

SCV 1st Check Assembly, Rubber Service Kit

The Check valve assembly consists of stainless steel shaft, plastic seat, brass disc holder and brass spring retainer, The RPZ relief consists of the sealing cover relief valve diaphragm, relief stem and spring

Features and Benefits

- Single access cover
- Complete Relief Valve Stem Modules
- Separate side entry checks with O-ring seal
- Stainless steel spring clips to secure check seats
- Stainless steel relief valve seats

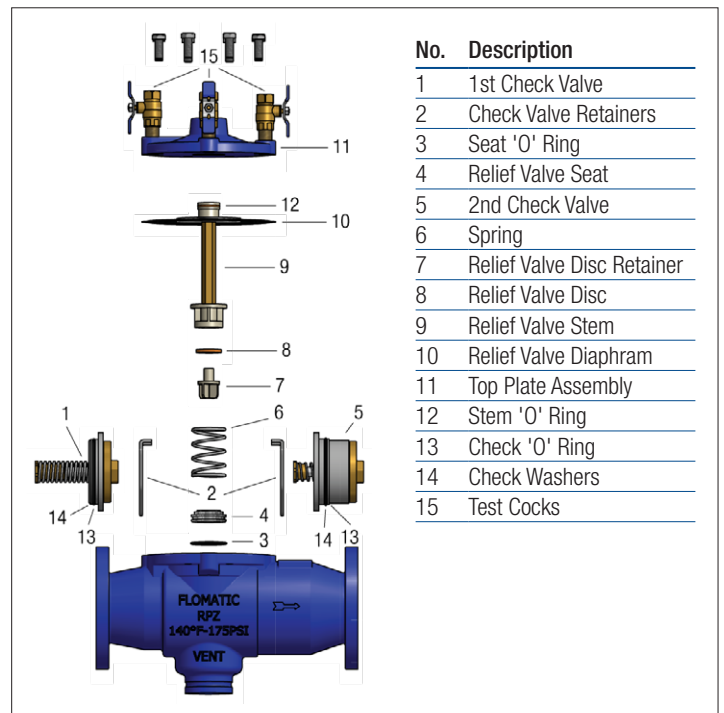
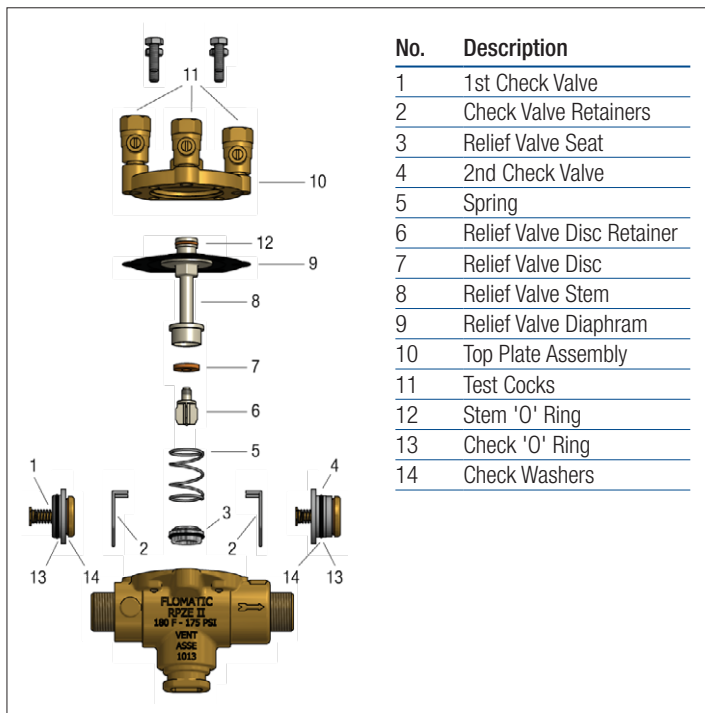
Technical Specifications

	20, 25, 32, 40, 50 (mm)	65, 80, 100, 150, 200 (mm)
Max. working pressure	1200kPa	1200kPa
Max. working temperature	82°C	60°C

BACKFLOW PREVENTION REPAIR KITS - RPZ

RPZD Repair Kits

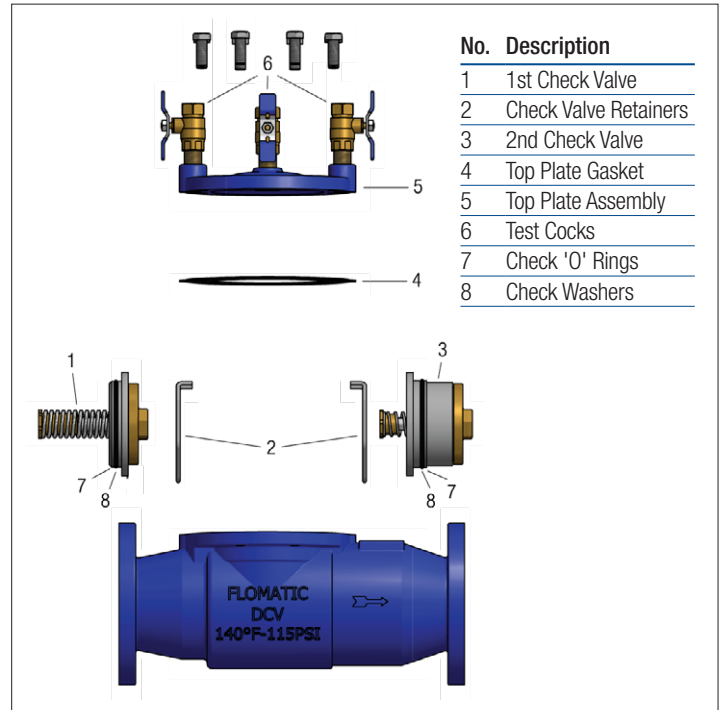
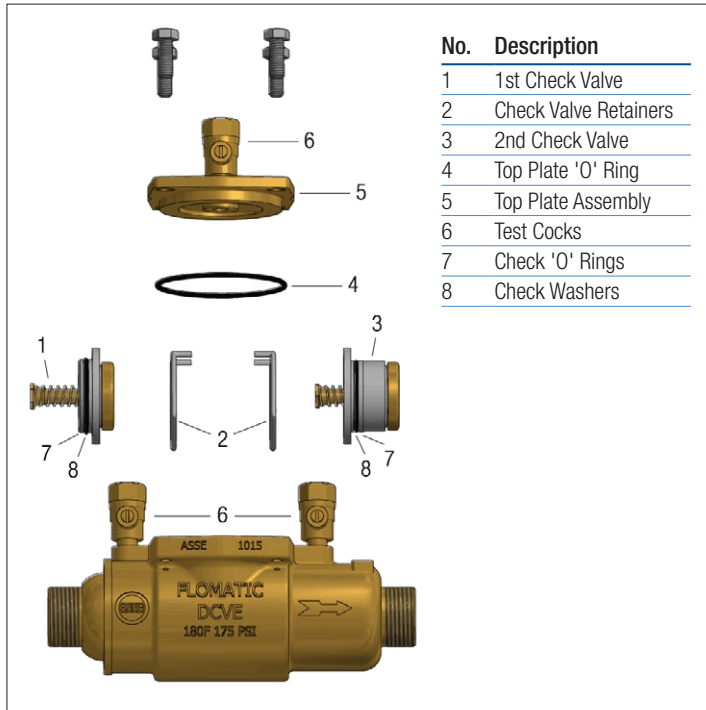
Size	Catalogue Number			
	Relief	1st Check	2nd Check	Rubber Kit
15-20mm	89880P9 (3,5,8,9)	89878P9 (1,2)	89879P9 (2,4)	B93RK99 (3,7,9,12,13(x2),14(x2))
25mm	89850P0 (3,5,8,9)	89848P0 (1,2)	89849P0 (2,4)	B92RK00 (3,7,9,12,13(x2),14(x2))
32mm	89850P2 (3,5,8,9)	89848P2 (1,2)	89849P2 (2,4)	B92RK02 (3,7,9,12,13(x2),14(x2))
40-50mm	89850P3 (3,5,8,9)	89848P3 (1,2)	89849P3 (2,4)	B92RK03 (3,7,9,12,13(x2),14(x2))
65-80mm	89850P5 (3,4,5,8,9)	89848P5 (1,2)	89849P5 (2,5)	B92RK05 (3,4,6,10,12,13(x2),14(x2))
100mm	89850P7 (3,4,5,8,9)	89848P7 (1,2)	89879P7 (2,5)	B92RK07 (3,4,6,10,12,13(x2),14(x2))
150mm	89850P9 (3,4,5,8,9)	89848P9 (1,2)	89879P9 (2,5)	B92RK09 (3,4,6,10,12,13(x2),14(x2))
200mm	89850P10 (3,4,5,8,9)	89848P10 (1,2)	89879P10 (2,5)	B92RK10 (3,4,6,10,12,13(x2),14(x2))



BACKFLOW PREVENTION REPAIR KITS - DCV

DCV Repair Kits

Size	Catalogue Number		
	1st Check	2nd Check	Rubber Kit
20-25mm	89855P0 (1,2)	89849P0 (2,3)	B91RK00 (4,7(x2),8(x2))
40-50mm	89855P3 (1,2)	89849P3 (2,3)	B91RK03 (4,7(x2),8(x2))
65-80mm	89855P5 (1,2)	89849P5 (2,3)	B91RK05 (4,7(x2),8(x2))
100mm	89855P7 (1,2)	89849P7 (2,3)	B91RK07 (4,7(x2),8(x2))
150mm	89855P9 (1,2)	89849P9 (2,3)	B91RK09 (4,7(x2),8(x2))
200mm	89855P10 (1,2)	89849P10 (2,3)	B91RK10 (4,7(x2),8(x2))



BACKFLOW PREVENTION REPAIR KITS - SCV / SDCV



Size Catalogue Number

SCV & SDCV Rubber Kit

DN100	B93SD7
DN150	B93SD9
DN200	B93SD10

Single Check - 1st Check Valve Assembly Kit

DN100	89861S7
DN150	89861S9
DN200	89861S10

Single Detector Check - 1st Check Valve Assembly Kit

DN100	8986SD7
DN150	8986SD9
DN200	8986SD10

