

Combination Non-Return Isolating Valves

Description

RMC Combination Non-Return Isolating Valves combine the mandatory functions of isolating valve and non-return valve for the installation of pressurised water heaters.

Combination Non-Return Isolating Valves prevent the backflow of water from a water heater to the mains line. This serves the dual purpose of protecting the mains supply from contamination, and the loss of water that has already been heated. The isolating valve component is useful as a means of controlling inlet water supply to unvented storage water heaters.

RMC Combination Non-Return Isolating Valves are available in 15 mm and 20 mm configurations.



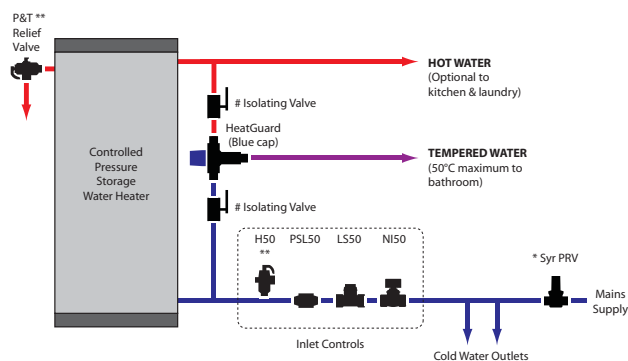
Features and Benefits

- ❖ Integral construction of non-return valve and isolating valve
 - » One piece unit for tidy, simple and economical installation
- ❖ No intermediate joins or fittings
 - » Less opportunity for leaks and faults
- ❖ Tamper-proof non-return valve
 - » Offers non-return protection for the life of the valve
- ❖ Optional in-line strainer
 - » NRI50S 15 mm Trio Valve model features integral line strainer for even simpler installation
- ❖ Dezincification resistant
 - » Meets Australian Standard for potable water supply
- ❖ Suitable for horizontal or vertical installation
 - » Valve designed to work effectively in either orientation

Application

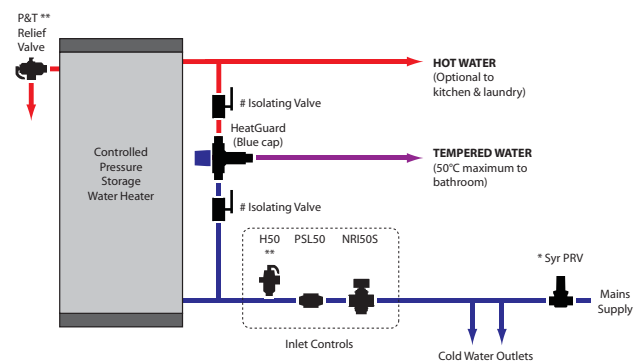
RMC Combination Non-Return Isolating Valves offer both non-return and isolating functions in a single valve. Combination Non-Return Isolating Valves are suitable for use on water heater systems or wherever both non-return and isolating functions are required. RMC recommends installing a Combination Non-Return Isolating Valve as part of a complete inlet control system for water heater applications.

**For Controlled Pressure Water Heater: Domestic Building
Valve fitted at the Heater**



Optional, recommended for ease of maintenance.
* When the tempering valve is fitted remote from the water heater, it is recommended the mains supply to the property be controlled by a Syringe pressure reducing valve.
** Drain line must comply with AS3500.

**For Controlled Pressure Water Heater: Domestic Building
Valve fitted at the Heater**

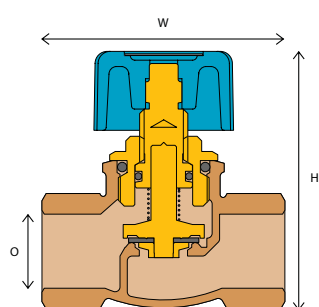


Optional, recommended for ease of maintenance.
* When the tempering valve is fitted remote from the water heater, it is recommended the mains supply to the property be controlled by a Syringe pressure reducing valve.
** Drain line must comply with AS3500.

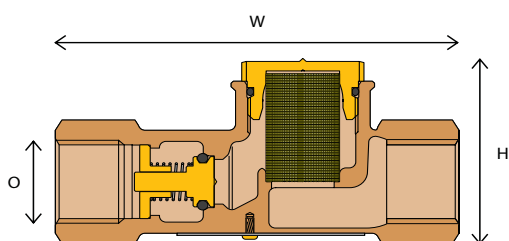
Combination Non-Return Isolating Valves

Specification

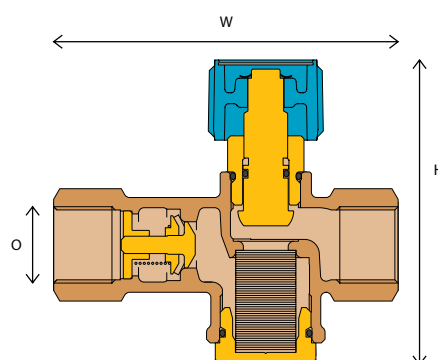
Model	Inlet/Outlet Fittings	Non-Return Valve	Isolating Valve	Line Strainer
NI50 Duo Valve	B.S.P. (F.I.)	✓	✓	
NI50-A Duo Valve	Flare	✓	✓	
NI50-C Duo Valve (inc. nuts and nylon olives)	Compression	✓	✓	
NI50-C Duo Valve (inc. nuts and copper olives)	Compression	✓	✓	
NI75 Duo Valve	B.S.P. (F.I.)	✓	✓	
NI75-A Duo Valve	Flare	✓	✓	
NR50-S Non-Return Valve with Strainer	B.S.P. (F.I.)	✓		✓
NRI50-S Trio Valve	B.S.P. (F.I.)	✓	✓	✓
Maximum temperature:	40° C			
Maximum inlet pressure:	1400 kPa			



NI50/NI50-A/NI50-C
NI75/NI75-A



NR50-S



NRI50-S

Dimensions

Model	Width (W)	Height (H)	Outlet (O)
NI50	73	68	DN15
NI50-A	89	83	DN15
NI50-C	80	68	DN15
NI75	80	85	DN20
NI75-A	97	85	DN20
NR50-S	92	47	DN15
NRI50-S	94	83	DN15

NB: All dimensions in millimeters unless otherwise stated.

Product Notes

- The NRI50-S does not carry the Watermark and should not be used in applications where this is required. Alternatively use an *NI50 Series Combination Non-Return Isolating Valve* in combination with an *RMC Line Strainer*.

Materials

Body	Cast gunmetal
Internal Parts	Brass and stainless steel
Seat Disc	Nitrile
Pressure Spring	Stainless steel
Check cartridge	Neoperl

Catalogue Numbers

Model	Catalogue Number
NI50 Duo Valve 15 mm Female BSP	NI501
NI50-A Duo Valve 15 mm Internal Flare	NIA501
NI50-C Duo Valve 15 mm Male Compression (with nylon olives)	NIC501
NI50-C Duo Valve 15 mm Male Compression (with copper olives)	NIW501
NI75 Duo Valve 20 mm Female BSP	NI701
NI75-A Duo Valve 20 mm Internal Flare	NI703
NR50S Non Return with Strainer 15 mm Female BSP	NRS501
NRI501 Trio Valve 15 mm Female BSP (Non-Return Isolating Valve with Strainer)	NRI501